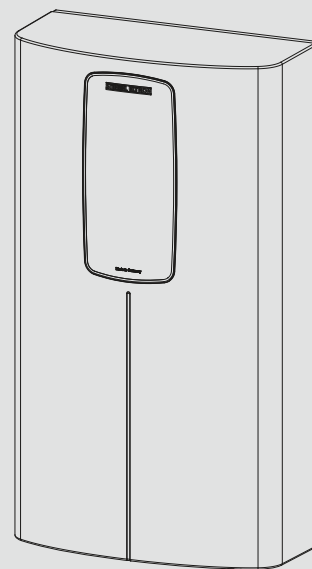


OPERATION AND INSTALLATION FUNCIONAMIENTO E INSTALACIÓN UTILISATION ET INSTALLATION

Electronically Controlled Electric Tankless Water Heaters
Calentadores de Agua Electrónicos sin Tanque
Chauffe-eau Électriques sans Réservoir à Commande Électronique

- » DHC 3/3.5-1 Trend
- » DHC 4/6-2 Trend
- » DHC 8/10-2 Trend
- » DHC 12/15-2 Trend



Certified to ANSI/UL Std. 499
Conforms to CAN/CSA Std. C22.2 No. 64

Certificación ANSI/UL Std. 499
Conforme a CAN/CSA Std. C22.2 No.64

Certifié à la norme ANSI/UL Std. 499
Conforme à la norme CAN/CSA Std. C22.2 No.64



Tested and certified by WQA to NSF/ANSI/CAN 372
for lead free compliance.

Probado y certificado por WQA NSF/ANSI/CAN 372
para el cumplimiento de las regulaciones sin plomo.

Testé et certifié par WQA à la NSF/ANSI/CAN 372
pour une utilisation sans plomb.

STIEBEL ELTRON

CONTENTS

QUICK START GUIDE

SPECIAL INFORMATION

OPERATION

1.	General information	5
1.1	Safety instructions	5
1.2	Other symbols in this documentation	5
1.3	Units of measurement	5
2.	Safety	5
2.1	Intended use	5
2.2	General safety instructions	5
2.3	Test symbols	6
2.4	Licenses / certificates	6
3.	Register your product	6
4.	Water heater description	7
4.1	Recommended settings	7
5.	Cleaning, care and maintenance	7
6.	Troubleshooting	7

INSTALLATION

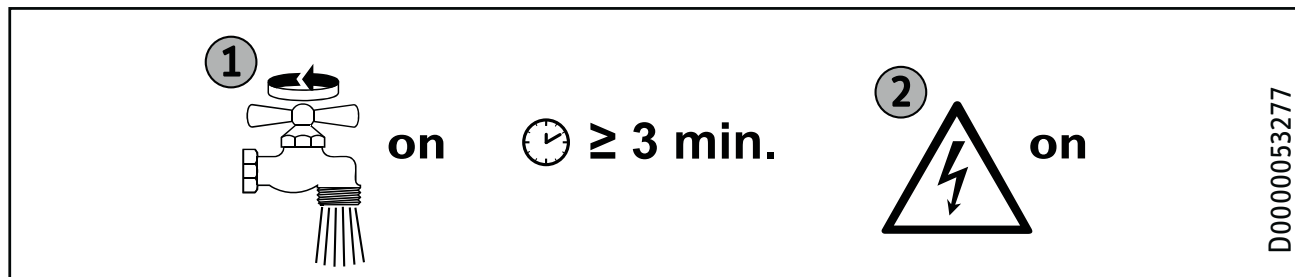
7.	Safety	8
7.1	General safety instructions	8
7.2	Instructions, standards and regulations	8
8.	Water heater description	8
8.1	Standard delivery	8
9.	Preparation	8
9.1	Installation site	8
9.2	Minimum clearances	9
10.	Installation	9
10.1	Standard wall-mounted installation	9
10.2	Water connections	9
10.3	Aerator installation at connected faucet	10
10.4	Electrical connection	10
10.5	Electrical connection with short power cable	11
10.6	Wiring block	12
11.	Commissioning	12
11.1	Temperature setting via jumper slot	12
11.2	Changing power output via jumper slot	12
11.3	Initial start-up	12
11.4	Operation with preheated water	13
11.5	Recommissioning	13
12.	Water heater shutdown	13
13.	Service information	13
14.	Maintenance	14
14.1	Draining the water heater	14
14.2	Cleaning the filter screen	14
15.	Troubleshooting	15
16.	Specification	16
16.1	Dimensions	16
16.2	Wiring diagrams	16
16.3	Hot water output	17
16.4	Application areas/conversion table	17

16.5	Fault conditions	17
16.6	Data tables	18
17.	Spare parts	20
18.	Warranty	21

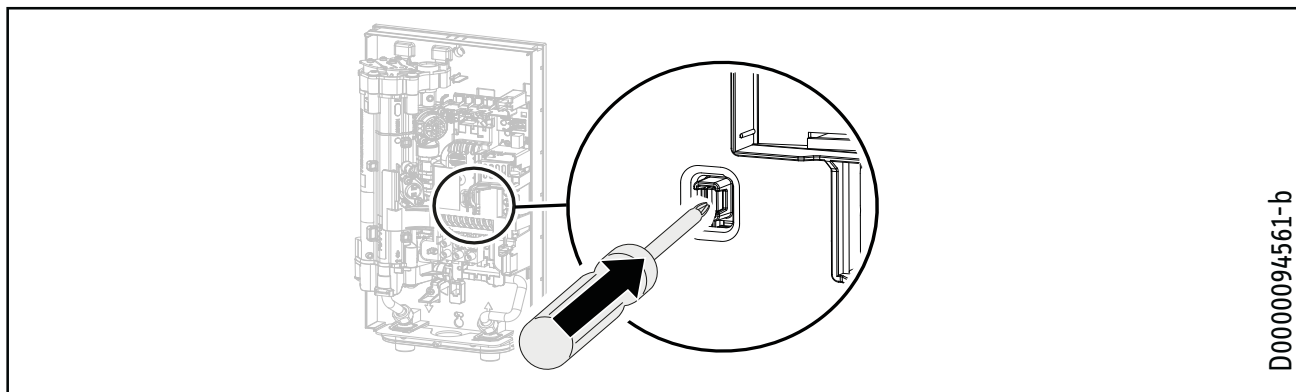
QUICK START GUIDE

Before turning on power to the water heater, you **MUST flush all air out of the system, then engage the AE3 safety switch. The unit will **NOT** operate until the AE3 safety switch has been engaged.**

- 1** Mount the unit to the wall (see section 10.1, “Standard wall-mounted installation”, pg. 9).
- 2** Hook up water connections (see section 10.2, “Water connections”, pg. 9).
- 3** Hook up electrical connections, but keep circuit breaker off. (See section 10.4, “Electrical connection”, pg. 10)



- 4** Open and close all connected draw-off valves at least 5 times, for at least 3 minutes total, until all air has been purged from the pipework and the water heater.
- 5** Ensure there are no water leaks from any plumbing connections.



- 6** Engage the AE3 safety switch by firmly pressing the white reset button until it clicks and fully locks in place (the water heater is delivered with the safety switch disengaged).
- 7** Turn on power to the water heater at the circuit breaker in the breaker panel.

SPECIAL INFORMATION


- Read this entire manual. Failure to follow all the guides, instructions and rules could cause personal injury or property damage. Improper installation, adjustment, alteration, service and use of this unit can result in serious injury.
- This unit must be installed by a licensed electrician and plumber. The installation must comply with all national, state and local plumbing and electric codes. Proper installation is the responsibility of the installer. Failure to comply with the installation and operating instructions or improper use voids the warranty.
- Save these instructions for future reference. The installer should leave these instructions with the consumer.
- If you have any questions regarding the installation, use or operation of this water heater, or if you need any additional installation manuals, please call our technical service line at 800.582.8423 (USA and Canada only). If you are calling from outside the USA or Canada, please call USA 413.247.3380 and we will refer you to a qualified Stiebel Eltron service representative in your area.
- The water heater is suitable for supplying a shower in many climates (shower operation). If the water heater is also or exclusively used for shower operation, the qualified contractor must adjust the temperature setting range to 122 °F (50 °C) or less using the internal anti-scalding protection on the water heater. When using preheated water, it must be ensured that the inlet temperature does not exceed 131 °F (55 °C).
- The specified voltage must match the power supply. See the type plate on the right-hand side of the water heater for full information.
- Ensure the water heater can be separated from the power supply by a circuit breaker that disconnects all poles with at least 1/8" (3 mm) contact separation.
- CAUTION: DO NOT INSTALL IN A BATH ENCLOSURE OR SHOWER STALL.
DO NOT CONNECT TO A SALT-REGENERATED WATER SOFTENER OR A SALT-WATER WATER SUPPLY.
FOR USE ON AN INDIVIDUAL BRANCH CIRCUIT ONLY.
CAUTION: CONNECT ONLY TO A CIRCUIT PROTECTED BY A CLASS A GROUND FAULT INTERRUPTER
USE BONDING CONDUCTOR IN ACCORDANCE WITH THE CANADIAN ELECTRICAL CODE, PART I
- The water heater must be properly grounded. See section 16.2, "Wiring diagrams," pg. 16.
- The water heater must be permanently connected to fixed wiring. For use on an individual branch circuit only. See section 16.2, "Wiring diagrams," pg. 16.
- Secure the water heater as described in chapter 10, "Installation", pg. 9.
- Observe the minimum permissible water supply pressure of 26.1 psi (1.8 bar). See section 16.6, "Data tables," pg. 18.
- Observe the maximum permissible water supply pressure of 145 psi (10 bar). See section 16.6, "Data tables," pg. 18.
- Drain the water heater as described in section 14.1, "Draining the water heater", pg. 14.

OPERATION

1. General information


The chapters “Special information” and “Operation” are intended for both users and qualified contractors.

The chapter “Installation” is intended for qualified contractors.




 **Note**
Read these instructions carefully before using the water heater and retain them for future reference.
Pass on the instructions to a new user if required.

1.1 Safety instructions

1.1.1 Structure of safety instructions

 **KEYWORD** Type of risk
Here, possible consequences are listed that may result from failure to observe the safety instructions.
► Steps to prevent the risk are listed.


1.1.2 Symbols, type of risk


Symbol	Type of risk
	Injury
	Electrocution
	Burns (burns, scalding)

1.1.3 Keywords

KEYWORD	Meaning
DANGER	Failure to observe this information will result in serious injury or death.
WARNING	Failure to observe this information may result in serious injury or death.
CAUTION	Failure to observe this information may result in non-serious or minor injury.


1.2 Other symbols in this documentation

 **Note**
General information is identified by the adjacent symbol.
► Read these texts carefully.

Symbol	Meaning
	Material losses (water heater damage, material losses, and installation site damage)

► This symbol indicates that you have to do something. The action you need to take is described step by step.

1.3 Units of measurement

 **Note**
All measurements are given in inches (millimeters) unless otherwise stated.

2. Safety

2.1 Intended use

The DHC Trend is suitable for heating domestic hot water or for reheating preheated water. The water heater can supply one or more draw-off points such as hand washing, kitchen, or utility sinks.

Examples:


- Restroom sinks in commercial/industrial facilities and homes
- Kitchen areas in commercial /industrial facilities and homes
- Special uses in photo developing shops, laboratories etc.

Water will not be reheated if the maximum inlet temperature for reheating is exceeded.

The water heater is intended for domestic use. It can be used safely by untrained persons. The water heater can also be used in non-domestic environments, e.g. in small businesses, as long as it is used in the same way.

Any other use beyond that described shall be deemed inappropriate. Observation of these instructions and of the instructions for any accessories used is also part of the correct use of this water heater.

2.2 General safety instructions

 **DANGER: Burns**
Water temperatures over 125 °F (52 °C) can cause severe burns instantly or death from scalding. A hot water scalding potential exists if the thermostat on the water heater is set too high. Households with small children, disabled or elderly persons may require that the thermostat be set at 110 °F (43 °C) or lower to prevent possible injury from hot water.

OPERATION

Register your product

**CAUTION: Burns**

If operating with preheated water, e.g. from a solar thermal system, the DHW temperature may vary from the selected set temperature.

**CAUTION: Burns**

During operation, the tap can reach temperatures up to 149 °F (65 °C). There is a risk of scalding at outlet temperatures in excess of 110 °F (43 °C).

**DANGER: Injury**

Please read and follow these instructions. Failure to follow these instructions could result in serious personal injury or death.



CAUTION: DO NOT INSTALL IN A BATH ENCLOSURE OR SHOWER STALL. DO NOT CONNECT TO A SALT-REGENERATED WATER SOFTENER OR A WATER SUPPLY OF SALT WATER.

FOR USE ON AN INDIVIDUAL BRANCH CIRCUIT ONLY.

CAUTION: CONNECT ONLY TO A CIRCUIT PROTECTED BY A CLASS A GROUND FAULT INTERRUPTER

USE BONDING CONDUCTOR IN ACCORDANCE WITH THE CANADIAN ELECTRICAL CODE, PART I

**DANGER: Electrocutation**

Before proceeding with any installation, adjustment, alteration, or service of this appliance, all circuit breakers and disconnect switches servicing the appliance must be turned off. Failure to do so could result in serious personal injury or death.

**DANGER: Electrocutation**

Never remove the water heater's cover unless the electricity servicing the water heater is turned off. Failure to do so could result in personal injury or death.

**WARNING Electrocutation**

The connection to the power supply is only permissible as a permanent connection in conjunction with a 3/4" Romex clamp. Ensure the water heater can be separated from the power supply by an isolator that disconnects all poles with at least 1/8" (3 mm) contact separation.

**DAMAGE TO THE WATER HEATER AND THE ENVIRONMENT:**

The water heater must be installed by a licensed electrician and plumber. The installation must comply with all national, state and local plumbing and electric codes. Service of the water heater must be performed by qualified service technicians.

**DAMAGE TO THE WATER HEATER AND THE ENVIRONMENT:**

Supply this appliance only from a grounded system. A green terminal (or a wire connector marked "G", "GR", "GROUND", OR "GROUNDING") is provided for wiring the appliance. To reduce the risk of electric shock, connect this terminal or connector to the grounding terminal of the electric service or supply panel with a continuous copper wire in accordance with the electrical installation code.

**WARNING: Injury**

Where children or persons with limited physical, sensory or mental capabilities are to be allowed to control this water heater, ensure that this will only happen under supervision or after appropriate instructions by a person responsible for their safety. Children should be supervised to ensure that they never play with the water heater.

Where children or persons with limited physical, sensory or mental abilities are allowed to use this water heater, we recommend asking the qualified contractor to set a permanent "Internal anti-scalding protection" temperature limit. See section 11.1, "Temperature setting via jumper slot," pg. 12.

**Material losses**

The user should protect the water heater against frost.

2.3 Test symbols

See type plate on the water heater.

2.4 Licenses / certificates

- UL (USA) Std. 499
- CSA (Canada) Std. C22.2 No. 64

3. Register your product



You must register this product within 90 days of purchase on our web site in order to activate the standard warranty. Go to our web site at www.stiebel-eltron-usa.com and click on "Register Your Product."

Before beginning the registration process, we suggest that you gather the necessary information which will be as follows:

Type, Example: DHC 4/6-2 Trend (from the label that is on the unit)

Number listed after "No."

Place of Purchase

Purchase Date

First & Last Name

Email address

Physical Address

Phone Number

Installation Date

If you have any questions concerning the registration process or warranty, please contact Stiebel Eltron USA directly at 800.582.8423.

4. Water heater description

The water heater switches on automatically as soon as a hot water valve at the tap is opened. When you close the tap, the water heater switches off automatically.

From the activation flow rate, the control unit regulates the correct heating output, subject to the temperature selected internally via jumper by a contractor during installation, and the current cold incoming water temperature.

If the water heater is operated with preheated water and the inlet temperature exceeds the chosen set temperature, the water is not heated further.

Fixed Domestic Hot Water (DHW) temperature

The water heater heats water as it flows through the unit.

The fixed DHW outlet temperature can be adjusted by a contractor via jumper during installation. The factory default value is 100 °F (38 °C). Other selectable values include: 110 °F (43 °C), 122 °F (50 °C), 140 °F (60 °C).

Heating system

The Direct Coil™ heating system is comprised of a pressure-tested, glass-reinforced polyamide heating chamber with a nichrome wire direct heating coil. It is suitable for hard and soft water areas and is largely unsusceptible to scale build-up. The Direct Coil™ heating system ensures rapid and efficient DHW production.



Note

The water heater is equipped with an air detector that largely prevents damage to the heating system. If, during operation, air is drawn into the water heater, the water heater shuts down the heating output for one minute to protect the heating system.

4.1 Recommended settings

The DHC Trend electric tankless water heater offers maximum convenience and accuracy when providing DHW. If you do need to operate the water heater with a thermostatic valve, we recommend adjusting the required set temperature on the thermostatic valve.

4.1.1 Following an interruption to the water supply



Material losses

To ensure that the direct coil heating system is not damaged following an interruption to the water supply, the water heater must be restarted by taking the following steps.

- ▶ Disconnect the water heater from the power supply by turning off the connected circuit breaker.
- ▶ Open and close all connected draw-off valves at least 5 times, for at least 3 minutes total, until all air has been purged from the pipework and the water heater.
- ▶ Switch the power back at the circuit breaker back ON.

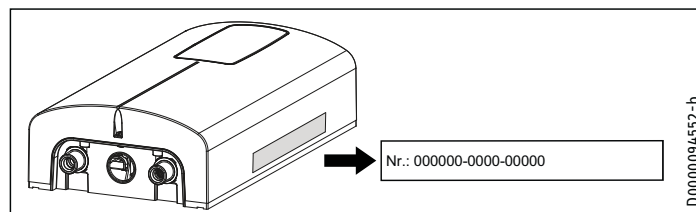
5. Cleaning, care and maintenance

- ▶ Never use abrasive or corrosive cleaning agents. A damp cloth is sufficient for cleaning the water heater.
- ▶ Check the taps regularly. Limescale deposits at the tap outlets can be removed using commercially available descaling agents.

6. Troubleshooting

Problem	Cause	Solution
The water heater will not start despite the faucet being fully open	There is no power	Check to ensure circuit breaker in breaker panel hasn't tripped. Reset if necessary The white AE3 safety switch has not been engaged during initial startup. Activate if necessary (See section 11.3.1, "Initial AE3 safety switch activation," pg. 13). If the AE3 switch has tripped after initial installation, contact a qualified contractor to fix the cause
	The aerator in the tap or the shower head is scaled up or dirty	Clean and/or descale the aerator or shower head
	The water supply has been interrupted	Vent the water heater and the cold water inlet line
When hot water is being drawn off, cold water flows for a short period	The air detector detects air in the water. It switches off the heating output briefly	The water heater restarts automatically after 1 minute

If you cannot solve the problem, contact your qualified contractor. To facilitate and speed up your inquiry, please provide the serial number from the type plate (000000-0000-000000). For live technical assistance, please contact us at 800.582.8423. Alternatively, you may email us at info@stiebel-eltron-usa.com



D0000094552-b

INSTALLATION

7. Safety

Only a qualified contractor should carry out installation, commissioning, maintenance and repair of the water heater.

7.1 General safety instructions

We guarantee trouble-free function and operational reliability only if original accessories and spare parts intended for the water heater are used.



Material losses

Observe the maximum inlet temperature. Higher temperatures may damage the water heater. You can limit the maximum inlet temperature by installing a central thermostatic valve.



WARNING Electrocutation

This water heater contains capacitors which are discharged when disconnected from the power supply. The capacitor discharge voltage may briefly exceed 60 V DC.

7.2 Instructions, standards and regulations



Note

Observe all applicable national and regional regulations and instructions.

- The electrical resistivity of the water must not fall below that stated on the type plate. In a linked water network, factor in the lowest electrical resistivity of the water. Your water supply utility will advise you of the electrical resistivity or conductivity of the water in your area.

8. Water heater description

8.1 Standard delivery

The following are delivered with the water heater:

- Filter screen, factory installed in cold water inlet
- Jumper for temperature selection, attached
- Jumper for power output switching, attached
- Jumper, spare, attached
- 2 x mounting screws
- 2 x wall anchors
- 0.5 gpm (1.9 l/min) flow-reducer/aerator [DHC 3/3.5-1 Trend only]. See section 10.3, "Aerator installation at connected faucet," pg. 10, for more information.

- 2 x 0.5 gpm (1.9 l/min) and 1 x 1.0 gpm (3.8 l/min) flow-reducer/aerators [DHC 4/6-2 Trend only]. See section 10.3, "Aerator installation at connected faucet," pg. 10, for more information.

9. Preparation

9.1 Installation site



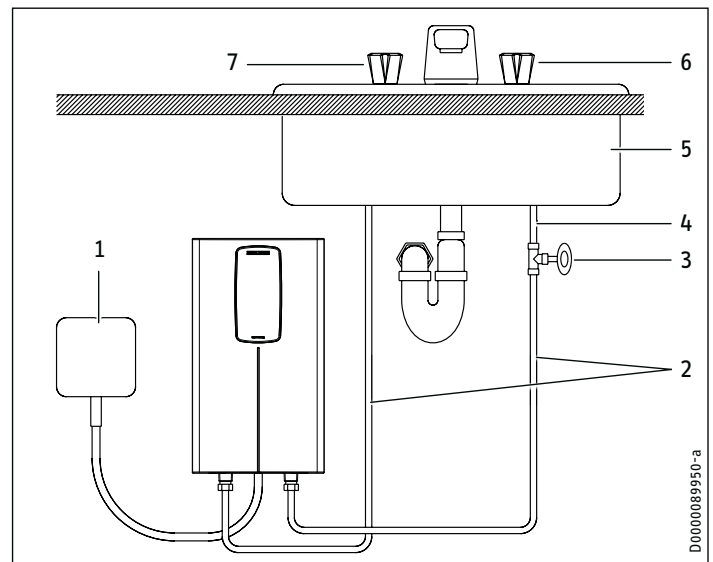
Material losses

Install the water heater in a room that is free from the risk of frost.

- ▶ Install DHC Trend in a frost free area. If frost may occur, remove the unit before freezing temperatures set in.
- ▶ Always install the water heater vertically with plumbing fittings pointing downward. Install the water heater near the draw-off point to minimize pipe runs and thermal losses.
- ▶ **Taps:** Do not use open vented or non-pressurized taps.

The water heater is suitable for under-sink and over-sink installation.

Typical under-sink installation



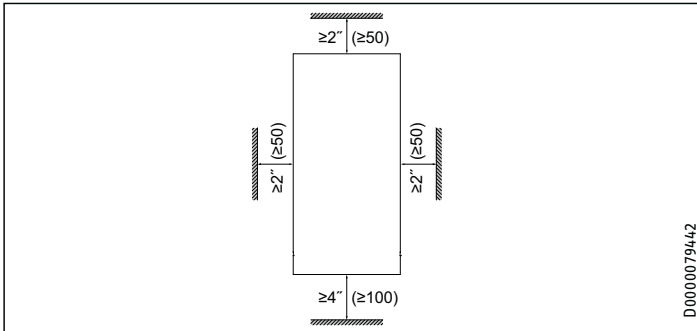
- 1 Electrical junction box
- 2 1/2" water supply line for faucet installation
- 3 Shut-off valve
- 4 Cold water supply
- 5 Sink
- 6 Cold valve (right)
- 7 Hot valve (left)



Note

▶ Install the water heater flush to the wall. The wall must have sufficient load bearing capacity.

9.2 Minimum clearances



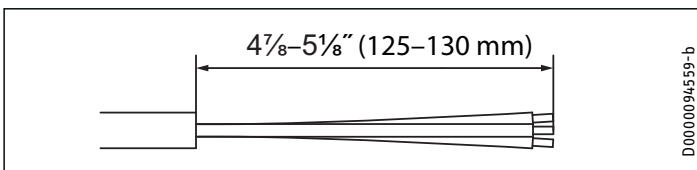
► Maintain the minimum clearances to ensure trouble-free operation of the water heater and facilitate maintenance work.

10. Installation

Factory default settings	DHC 3/3.5-1 Trend	DHC 4/6-2 Trend	DHC 8/10-2 Trend	DHC 12/15-2 Trend
Internal temperature setting, °F (°C)	100 (38)	100 (38)	100 (38)	100 (38)
Power output				
@ 120 V	3.5 kW	-	-	-
@ 208 V	-	4.5 kW	7.2 kW	10.8 kW
@ 240 V	-	6.0 kW	9.6 kW	14.4 kW

10.1 Standard wall-mounted installation

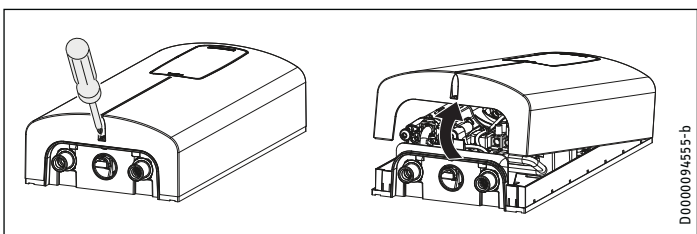
10.1.1 Preparing the power cable



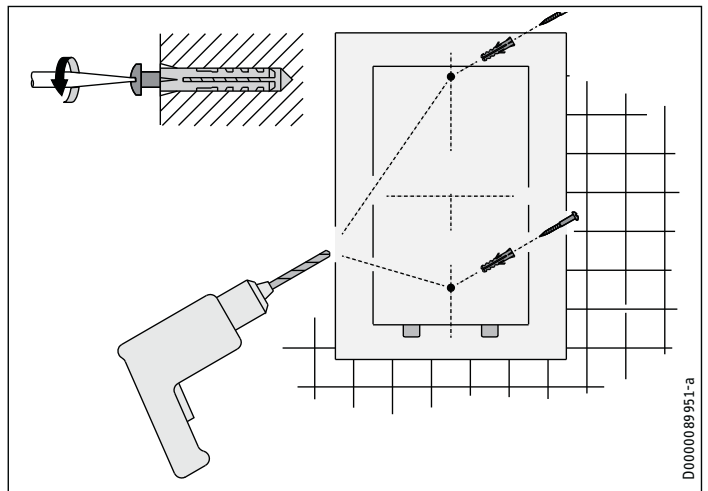
► Prepare the power cable.

10.1.2 Mounting instructions

- Install DHC Trend as close as possible to the hot water draw-off point, for example, directly underneath the sink.
- Install DHC Trend in a frost free area. If frost may occur, remove unit before freezing temperatures set in.
- Observe minimum clearances on all sides to ensure unobstructed servicing if necessary.
- Remove plastic cover by loosening the screw on the bottom. Lift cover off from the bottom.



- Mark the 2 drill holes, referencing their position using the water heater rear panel as a guide.
- Set water heater rear panel aside and drill the 2 marked holes.
- Install wall anchors in the wall, then insert and tighten each mounting screw partially. Screws and plastic wall anchors for mounting on drywall or wood are provided.
- Hang the unit on the 2 mounting screws, ensuring the rear of the unit is flush against the wall.
- Once the unit is in position, mount the unit securely to the wall by fully tightening the 2 mounting screws.



10.2 Water connections

CAUTION: DO NOT INSTALL IN A BATH ENCLOSURE OR SHOWER STALL OR CONNECT TO A SALT-REGENERATED WATER SOFTENER OR A WATER SUPPLY OF SALT WATER

FOR USE ON AN INDIVIDUAL BRANCH CIRCUIT ONLY

CAUTION: CONNECT ONLY TO A CIRCUIT PROTECTED BY A CLASS A GROUND FAULT CIRCUIT INTERRUPTER

USE COPPER CONDUCTORS ONLY

USE BONDING CONDUCTOR IN ACCORDANCE WITH THE CANADIAN ELECTRICAL CODE, PART I

Material losses
Carry out all water connection and installation work in accordance with regulations.

Material losses
Excessive heat from soldering on copper pipes near the DHC may cause damage to the unit or the plastic filter screen located in the cold water inlet.



NOTICE

The cold water connection to the unit **MUST** be disconnected periodically in order to clean the filter screen. It is required to use water connections that are easily detachable such as braided steel flex connectors.



NOTICE

Hard water or water with a high mineral count may damage the unit. Damage to the unit caused by scale or a high mineral count is not covered under the warranty.



NOTICE

Tankless water heaters such as the DHC Trend are not required to be equipped with a temperature and pressure relief valve (T&P). If the local inspector will not pass the installation without a T&P, it should be installed on the hot water outlet side of the unit.

10.2.1 Permissible water connection materials

- ▶ The DHC's hot water outlet (left) is designed for connection to copper tubing, PEX tubing or a braided stainless steel hose with a 1/2" NPT female tapered thread.
- ▶ The plumbing on the cold water inlet side (right) needs to be such that it can easily be removed to allow access to the inlet filter screen. The easiest way to achieve this is to use a braided steel flex connector with a 1/2" female NPT connection.



Material losses

If plastic pipework systems are used, take into account the maximum inlet temperature and the maximum permissible pressure.

10.2.2 Flow rate

- ▶ Ensure that the minimum activation flow rate for switching on the water heater is met: 0.264 gal (1.0 l/min).
- ▶ If the required minimum activation flow rate is not met when the draw-off valve is fully opened, increase the water line pressure. Minimum supply pressure is 26.1 psi (1.8 bar).

10.2.3 Water connection instructions



Material losses

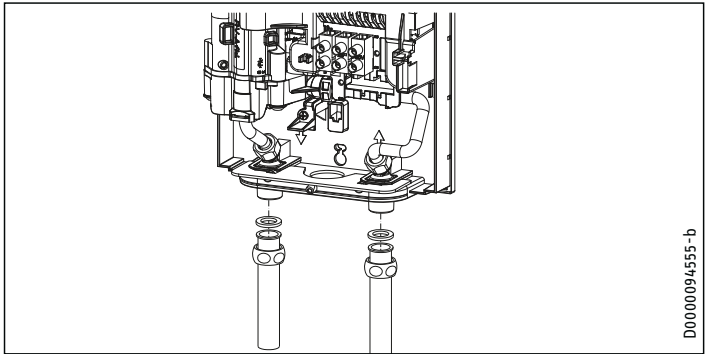
If soldering near the unit is necessary, please direct the flame away from the housing of the unit in order to avoid damage. Note that excessive heat from soldering (not recommended) near the cold water inlet fitting may damage the plastic filter screen located inside it.

All plumbing work must comply with national and applicable state and local plumbing codes.

Cold water connection (inlet) is on the right side of the unit, hot water connection (outlet) is on the left side of unit.

- ▶ A pressure reducing valve must be installed if the cold water supply pressure exceeds 150 psi (10 bar).

- ▶ Make certain that the cold water supply line has been flushed to remove any scale and dirt.
- ▶ Install shut-off valve in cold water line as shown in the illustration on page 8. This allows the unit to be easily isolated for maintenance purposes.



- ▶ Connected braided steel flex connectors (recommended for hot outlet, required for cold inlet, not supplied) to the twin 1/2" NPT male connectors.
- ▶ Open the shut-off valve in the cold water inlet line.

When all plumbing work is completed, check for leaks and take corrective action before proceeding.

10.3 Aerator installation at connected faucet

DHC 3/3.5-1 Trend ships with a 0.5 gpm (1.9 l/min) pressure compensating flow-reducer/aerator that must be installed on the faucet the water heater is connected to. Failure to install the aerator may result in lower water temperatures than desired.

DHC 4/6-2 Trend ships with a 1.0 gpm (3.8 l/min) aerator and 2 x 0.5 gpm (1.9 l/min) aerators, allowing for maximum installation flexibility. A single 0.5 gpm or 1.0 gpm aerator (depending on required temperature rise) should be installed when the unit is used at the [low] power output setting (jumper position 1). At the [high] power output setting (factory default, jumper position 2), the unit may be plumbed to a single sink using the 1.0 gpm aerator, or to two sinks using the 2 x 0.5 gpm aerators. Failure to install the aerator(s) may result in lower water temperatures than desired.

10.4 Electrical connection



WARNING: Electrocutation

Before beginning any work on the electric installation, be sure that main breaker panel switches are "Off" to avoid any danger of electric shock. All mounting and plumbing must be completed before proceeding with electrical hook-up.

The unit must be properly grounded in accordance with state and local codes, or in absence of such codes, in accordance with national electric code or the Canadian electric code. Failure to electrically ground the product could result in serious personal injury or death.



WARNING Electrocutation

The connection to the power supply is only permissible as a permanent connection in conjunction with a 3/4" Romex clamp. Ensure the water heater can be separated from the power supply by an isolator that disconnects all poles with at least 1/8" (3 mm) contact separation.



CAUTION: DO NOT INSTALL IN A BATH ENCLOSURE OR SHOWER STALL. DO NOT CONNECT TO A SALT-REGENERATED WATER SOFTENER OR A WATER SUPPLY OF SALT WATER.

FOR USE ON AN INDIVIDUAL BRANCH CIRCUIT ONLY.

CAUTION: CONNECT ONLY TO A CIRCUIT PROTECTED BY A CLASS A GROUND FAULT INTERRUPTER

USE BONDING CONDUCTOR IN ACCORDANCE WITH THE CANADIAN ELECTRICAL CODE, PART I



Supply this appliance only from a grounded system. A green terminal (or a wire connector marked "G", "GR", "GROUND", OR "GROUNDING") is provided for wiring the appliance. To reduce the risk of electric shock, connect this terminal or connector to the grounding terminal of the electric service or supply panel with a continuous copper wire in accordance with the electrical installation code.



Material losses

Observe the type plate. The specified rated voltage must match the supply line voltage.

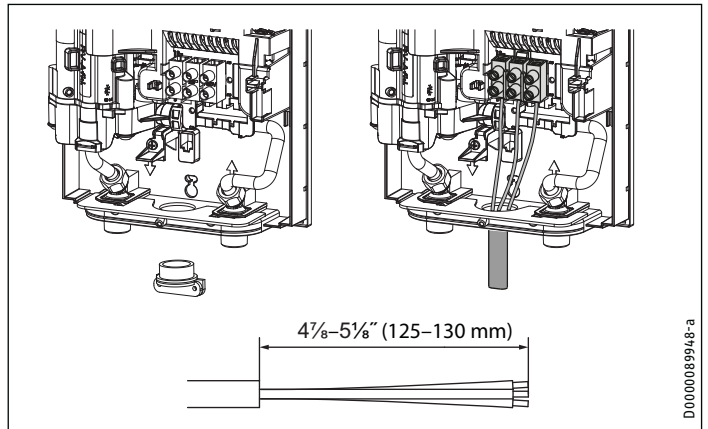


Material losses

The DHC 3/3.5-1 Trend must only be connected to a 120 V electrical supply. Connecting the DHC 3/3.5-1 Trend to a 208-240 V electrical supply will permanently damage the unit and void the factory warranty.

- ▶ All electrical work must comply with national and applicable state and local electrical codes.
- ▶ The DHC Trend should be connected to a properly grounded dedicated branch circuit of proper voltage rating. In installations with several DHC Trend units, each unit requires an independent circuit. Please refer to the technical data table for the correct wire and circuit breaker size.

- ▶ A 3/4" Romex clamp (required, not supplied) should be installed in the opening located between the hot and cold water connections. The wire should be fed through the Romex clamp. The "live" wires must be connected to the slots on the terminal block marked N and L (DHC 3/3.5-1 Trend only) or L and L (all other versions). The ground wire must be connected to the slot marked with the ground symbol. See section 16.2, "Wiring diagrams," pg. 16.

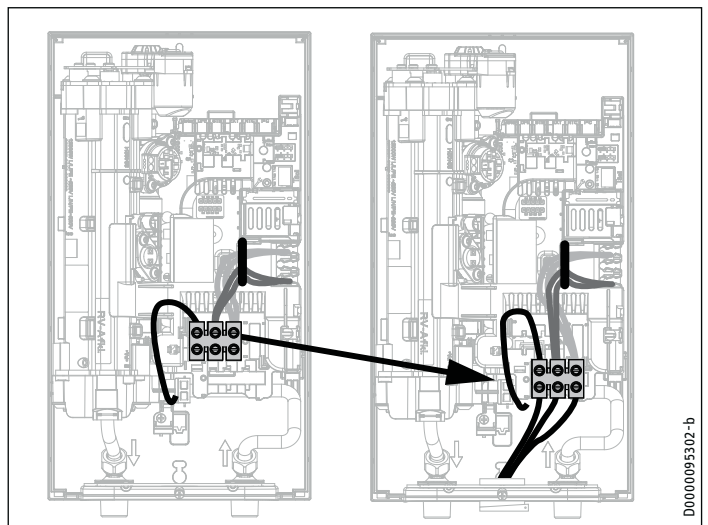


D0000099948-a

10.5 Electrical connection with short power cable

If the power cable is not quite long enough, the wiring block can be installed closer to the aperture in the water heater.

- ▶ Reposition the wiring block from the top to the bottom. To do so, unclip the wiring block by pushing it firmly to the left and pulling it forwards.



D0000095302-b

- ▶ Clip the wiring block in at the bottom by pushing it inwards and to the left until it clicks into place.

INSTALLATION

Commissioning

10.6 Wiring block

Consult the chart below for the recommended torque amounts on the wiring block screws.

Screw Size (mm)	Min. Torque (N•cm)	Min. Torque (Lbf•in)
M6	200-250	17.7-22.1

Using the proper torque specifications to secure wire to the wiring block helps to avoid personal loss or property damage.

11. Commissioning

11.1 Temperature setting via jumper slot

The maximum outlet temperature of each jumper position during normal load operation depends on the operating voltage, flow rate, and incoming water temperature. See tables below for maximum temperature output at 240 V and 208 V nominal operating voltages.

38 °C 100 °F	
43 °C 109 °F	
50 °C 122 °F	
60 °C 140 °F	

D0000094558-b

Jumper position (240 V)	Description
38 °C 100 °F @ 240 V	Code-compliant hand washing applications (factory default setting)
43 °C 109 °F @ 240 V	Applications where risk of scalding may be a concern
50 °C 122 °F @ 240 V	DHW for kitchen sink, utility sink, etc.
60 °C 140 °F @ 240 V	Commercial applications (kitchens, etc.), health code requirements
No jumper	Limit 38 °C 100 °F

Jumper position (208 V)*	Description
32 °C 90 °F @ 208 V	Lukewarm water for hand washing (factory default setting)
36 °C 97 °F @ 208 V	Code-compliant hand washing applications
41 °C 106 °F @ 208 V	Warm water for hand washing
49 °C 120 °F @ 208 V	DHW for kitchen sink, utility sink, etc.
No jumper	Limit 32 °C 90 °F

*All listed output temperatures assume an incoming water temperature of 15 °C | 59 °F

- ▶ Install the jumper in the required position on the “T_{max}” pin strip.

CAUTION Burns
 If the water supplied to the appliance is preheated, the internal anti-scalding protection limit may be exceeded. In such cases, limit the temperature with an upstream central thermostatic valve.

11.2 Changing power output via jumper slot

If you select a value other than the factory default setting, you will need to reposition the jumper.

1	
2	

D0000082938

- ▶ Install the jumper in the required position on the “P_{max}” pin strip.

Jumper position	Power output	DHC 3/3.5-1 Trend	DHC 4/6-2 Trend
1 [low]	@ 120 V	3.0 kW	-
	@ 208 V	-	2.9 kW
	@ 240 V	-	3.8 kW
2 [high] factory default	@ 120 V	3.5 kW	-
	@ 208 V	-	4.5 kW
	@ 240 V	-	6.0 kW
No jumper [low]	@ 120 V	3.0 kW	-
	@ 208 V	-	2.9 kW
	@ 240 V	-	3.8 kW

Jumper position	Power output	DHC 8/10-2 Trend	DHC 12/15-2 Trend
1 [low]	@ 208 V	5.4 kW	9.0 kW
	@ 240 V	7.2 kW	12.0 kW
2 [high] factory default	@ 208 V	7.2 kW	10.8 kW
	@ 240 V	9.6 kW	14.4 kW
No jumper [low]	@ 208 V	5.4 kW	9.0 kW
	@ 240 V	7.2 kW	12.0 kW

- ▶ Mark the selected power output on the type plate. Use a ball-point pen to do this.

11.3 Initial start-up

Note
 During initial start-up, you **MUST** engage the AE3 safety switch by depressing the white reset button before supplying power to the water heater. The unit will **NOT** operate until the safety switch has been engaged.

1 on ≥ 3 min. 2 on

D0000053277

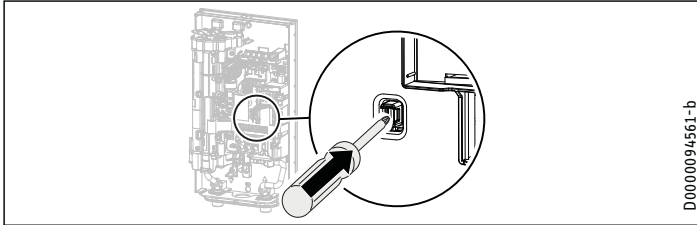
- ▶ Open and close all connected draw-off valves at least five times total. Let water run for at least three minutes, until all air has been purged from the pipework and the water heater.

INSTALLATION

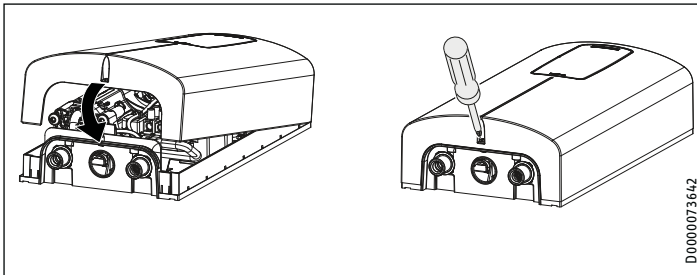
Water heater shutdown

- ▶ Ensure there are no water leaks from any plumbing connections.

11.3.1 Initial AE3 safety switch activation



- ▶ Engage the AE3 safety switch by firmly pressing the white reset button until it clicks and fully locks in place (the water heater is delivered with the safety switch disengaged).



- ▶ Hook the water heater cover into the water heater back panel at the top rear. Pivot the cover downwards. Check that the cover is securely seated at both top and bottom.
- ▶ Secure the cover with the screw.
- ▶ Remove the protective film from the front panel.



- ▶ Switch on the power supply.

11.3.2 Water heater handover

- ▶ Explain the water heater functions to users, and familiarize them with how it works.
- ▶ Make the user aware of potential dangers, especially the risk of scalding.
- ▶ Hand over the instructions.

11.4 Operation with preheated water

The maximum inlet temperature may be limited by installing a central thermostatic valve. Use the thermostatic valve for central premixing, for example when operating a tankless water heater with preheated water.

11.5 Recommissioning



Material losses

To ensure that the direct coil heating system is not damaged following an interruption to the water supply, the water heater must be restarted by taking the following steps:

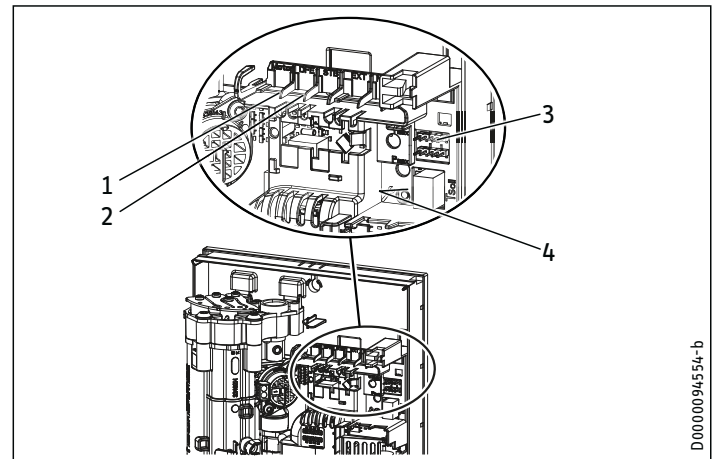
- ▶ Disconnect the water heater from the power supply by turning the connected circuit breaker.
- ▶ Open and close all connected draw-off valves at least 5 times, for at least 3 minutes total, until all air has been purged from the pipework and the water heater.
- ▶ Switch the power back ON.

12. Water heater shutdown

- ▶ Shut off power to the unit at the breaker panel by making sure that connected circuit breakers are "OFF" to avoid any danger of electric shock.
- ▶ Drain the water heater (See section 14.1, "Draining the water heater," pg. 14").

13. Service information

Connection overview/component overview



- 1 Flow sensor
- 2 High limit safety cut-out, automatic reset, Klixon
- 3 Pin strips for power output and temperature selection
- 4 Diagnostic lights

14. Maintenance

**WARNING Electrocutation**

Before beginning any work on the water heater, be sure that main breaker panel switches are “Off” to avoid any danger of electric shock.

- ▶ Open the cold water supply shut-off valve.
- ▶ Vent the air from pipes and the water heater by opening and closing all connected draw-off valves at least 5 times, for at least 3 minutes total, until all air has been purged from the pipework and the water heater.
- ▶ Turn on circuit breaker to bring electrical power to the unit.

14.1 Draining the water heater

The water heater can be drained for maintenance work.

**WARNING Burns**

Hot water may escape when you drain the water heater.

- ▶ Close the shut-off valve in the cold water inlet line.
- ▶ Open all draw-off valves.
- ▶ Undo the water connections on the water heater.
- ▶ Store the dismantled water heater free from the risk of frost, as water residues remaining inside the water heater can freeze and cause damage.

14.2 Cleaning the filter screen

**WARNING Burns**

Hot water may escape when you drain the water heater.

**Material losses**

To ensure that the Direct Coil™ heating system is not damaged following an interruption to the water supply, the water heater must be restarted by taking the following steps.

- ▶ Shut off power to the unit at the breaker panel by making sure that connected circuit breakers are “OFF” to avoid any danger of electric shock.
- ▶ Open and close all connected draw-off valves at least 5 times, for at least 3 minutes total, until all air has been purged from the pipework and the water heater.
- ▶ Switch the power back ON at the breaker panel.

The DHC Trend has a built in sediment filter screen that should be cleaned periodically:

- ▶ Turn off power to the water heater at the circuit breaker.
- ▶ Turn off the water supply to the water heater at the shut-off valve.
- ▶ Open a connected hot water tap to relieve built-up pressure (this will minimize leakage when removing the connection from the cold water inlet).
- ▶ Disconnect the braided steel flex connector from the cold water inlet fitting (right).
- ▶ To remove the filter screen from the bottom of the cold water inlet, carefully insert a flathead screwdriver just above the plastic lip of the filter screen, and gently pull downward.
- ▶ Clean the filter screen, re-insert securely into the cold water inlet fitting, and reconnect the braid steel flex connector to the cold water inlet.

INSTALLATION

Troubleshooting

15. Troubleshooting



WARNING Electrocutation
Never remove or reinstall the water heater's cover unless the electricity servicing the unit is turned off. Failure to do so could result in personal injury or death.



WARNING Electrocutation
To test the water heater using the internal diagnostic lights, it must be connected to the power supply. When testing with the cover off, never touch any part of the water heater. Doing so could result in serious personal injury or death.



Note
When testing the water heater using the diagnostic lights, water must be flowing through the unit.

Diagnostic lights

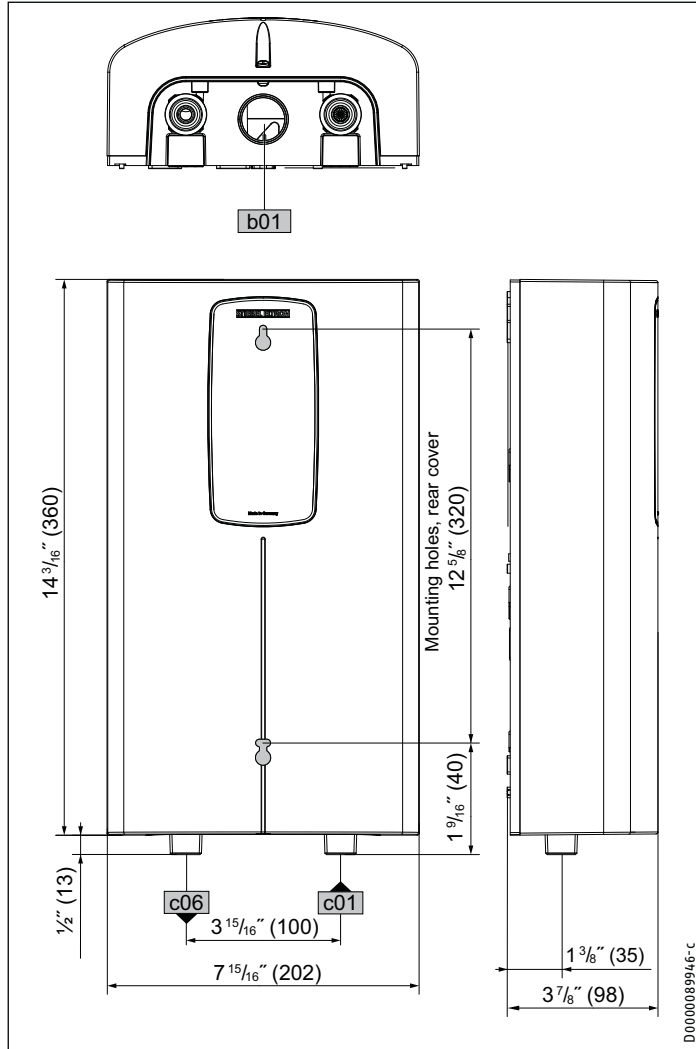
●○○	Red	Lights up in the event of a fault
○●○	Yellow	Lights up in heating mode/flashes when output limit reached
○○●	Green	Flashing: Water heater connected to power supply

Diagnostic lights	Problem	Cause	Solution
No LED is lit	The water heater does not heat up	There is no power	Check to ensure the connected circuit breaker in the main breaker panel hasn't tripped. Reset if necessary
		The PCB is faulty	Replace the function module
Green flashing, yellow off, red off	No DHW	The shower head/aerator is scaled up	Descale or replace the shower head/aerator if necessary
		The filter screen in the cold water inlet is dirty	Clean the filter screen. See section 14.2, "Cleaning the filter screen," pg. 14
		The flow sensor is not plugged in	Connect the cable to the PCB
		The flow sensor is faulty	Replace the function module
		The PCB is faulty	Replace the function module
Green flashing, yellow on, red off	The outlet temperature does not match the set value	The device is connected to a power supply <240 V	Please observe the information in section 11.1, "Temperature setting via jumper slot", pg. 12
		The tap is faulty	Replace the tap
		The heating system is faulty	Replace the function module
		The PCB is faulty	Replace the function module
Green flashing, yellow off, red on	No DHW	Air detected	Continue draw-off for >1 minute
		AE3 safety switch not activated during commissioning	Activate AE3 safety switch by pressing the reset button firmly. See section 11.3.1, "Initial AE3 safety switch activation," pg. 13
		AE3 safety switch triggered by self-resetting high limit safety cut-out	Check high limit safety cut-out Klixon (plug-in connection, connecting cable); activate AE3 safety switch
		AE3 safety switch responds again after high limit safety cut-out Klixon has been checked; high limit safety cut-out faulty	Replace high limit safety cut-out Klixon activate AE3 safety switch and draw off water at the maximum set value for >1 min
		Safety switch responds again; PCB faulty	Replace the function module
		PCB faulty (lead break or short circuit in inlet sensor)	Replace the function module

INSTALLATION Specification

16. Specification

16.1 Dimensions



DHC Trend		
b02	Entry electrical cables	
c01	Cold water inlet	Male thread 1/2" NPT
c06	DHW outlet	Male thread 1/2" NPT

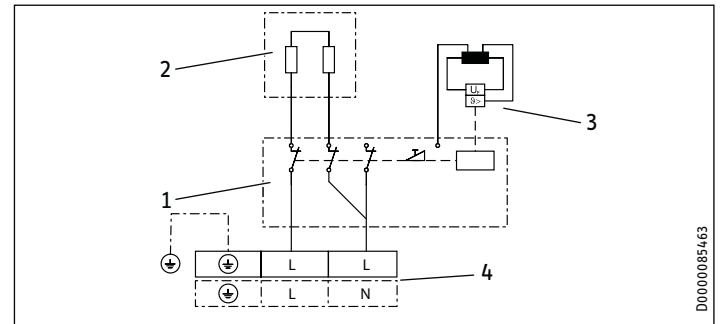
16.2 Wiring diagrams

DHC 3/3.5-1 Trend

1/N/GND ~ 120V

DHC 4/6-2 Trend

2/GND ~ 208 / 240V

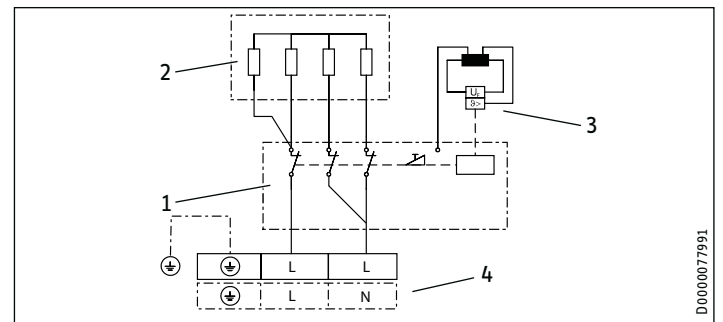


- 1 Power PCB with integral safety switch
- 2 Direct Coil™ heating system
- 3 Self-resetting high limit safety cut-out, Klixon
- 4 Wiring block

DHC 8/10-2 Trend | DHC 12/15-2 Trend

2/GND ~ 208 / 240 V

1/N/GND ~ 208 / 240 V



- 1 Power PCB with integral safety switch
- 2 Direct Coil™ heating system
- 3 Self-resetting high limit safety cut-out, Klixon
- 4 Wiring block

INSTALLATION Specification

16.3 Hot water output

The domestic hot water (DHW) output is subject to the connected power supply, the water heater's connected load, and the cold water inlet temperature. The rated voltage and rated output can be found on the type plate.

Model	Power output in kW			100°F DHW output in gpm			
	Rated voltage			Cold water inlet temperature			
	120 V	208 V	240 V	41°F	50°F	59°F	68°F
DHC 3/3.5-1	3.0			0.35	0.41	0.5	0.64
Trend	3.5			0.41	0.48	0.58	0.75
DHC 4/6-2		2.9		0.34	0.4	0.48	0.62
Trend		4.5		0.52	0.61	0.75	0.96
			3.8	0.44	0.52	0.63	0.81
			6.0	0.69	0.82	1.0	1.28
DHC 8/10-2		5.4		0.63	0.74	0.9	1.15
Trend		7.2		0.83	0.98	1.2	1.54
			7.2	0.83	0.98	1.2	1.54
			9.6	1.11	1.31	1.6	2.05
DHC 12/15-2		9.0		1.04	1.23	1.5	1.92
Trend		10.8		1.24	1.46	1.78	2.28
			12.0	1.39	1.64	2.0	2.56
			14.4	1.67	1.97	2.4	3.07

Model	Power output in kW			122°F DHW output in gpm			
	Rated voltage			Cold water inlet temperature			
	120 V	208 V	240 V	41°F	50°F	59°F	68°F
DHC 3/3.5-1	3.0			-	0.28	0.33	0.38
Trend	3.5			0.3	0.33	0.38	0.44
DHC 4/6-2		2.9		-	0.28	0.31	0.37
Trend		4.5		0.38	0.43	0.49	0.57
			3.8	0.32	0.36	0.41	0.48
			6.0	0.51	0.57	0.65	0.76
DHC 8/10-2		5.4		0.46	0.51	0.59	0.68
Trend		7.2		0.61	0.68	0.78	0.91
			7.2	0.61	0.68	0.78	0.91
			9.6	0.81	0.91	1.04	1.21
DHC 12/15-2		9.0		0.76	0.85	0.98	1.14
Trend		10.8		0.9	1.02	1.16	1.35
			12.0	1.01	1.14	1.3	1.52
			14.4	1.21	1.37	1.56	1.82

Model	Power output in kW			38°C DHW output in L/min			
	Rated voltage			Cold water inlet temperature			
	120 V	208 V	240 V	5°C	10°C	15°C	20°C
DHC 3/3.5-1	3.0			1.3	1.5	1.9	2.4
Trend	3.5			1.5	1.8	2.2	2.8
DHC 4/6-2		2.9		1.3	1.5	1.8	2.3
Trend		4.5		1.9	2.3	2.8	3.6
			3.8	1.7	2.0	2.4	3.0
			6.0	2.6	3.1	3.7	4.8
DHC 8/10-2		5.4		2.3	2.8	3.4	4.3
Trend		7.2		3.1	3.7	4.5	5.7
			7.2	3.1	3.7	4.5	5.7
			9.6	4.2	4.9	6.0	7.6
DHC 12/15-2		9.0		3.9	4.6	5.6	7.1
Trend		10.8		4.6	5.5	6.6	8.5
			12.0	5.2	6.1	7.5	9.5
			14.4	6.2	7.3	8.9	11.4

Model	Power output in kW			50°C DHW output in L/min			
	Rated voltage			Cold water inlet temperature			
	120 V	208 V	240 V	5°C	10°C	15°C	20°C
DHC 3/3.5-1	3.0			1.0	1.1	1.2	1.4
Trend	3.5			1.1	1.3	1.4	1.7
DHC 4/6-2		2.9		-	1.1	1.2	1.4
Trend		4.5		1.4	1.6	1.8	2.1
			3.8	1.2	1.4	1.6	1.8
			6.0	1.9	2.1	2.4	2.9
DHC 8/10-2		5.4		1.7	1.9	2.2	2.6
Trend		7.2		2.3	2.6	2.9	3.4
			7.2	2.3	2.6	2.9	3.4
			9.6	3.0	3.4	3.9	4.6
DHC 12/15-2		9.0		2.9	3.2	3.7	4.3
Trend		10.8		3.4	3.8	4.4	5.1
			12.0	3.8	4.3	4.9	5.7
			14.4	4.6	5.1	5.9	6.9

16.4 Application areas/conversion table

Here, data is shown for electrical resistivity and electrical conductivity.

Standard specification at 15 °C			20 °C			25 °C		
Min.	Max.		Min.	Max.		Min.	Max.	
resistivity $\rho \geq$	conductivity $\sigma \leq$	$\mu\text{S/cm}$	resistivity $\rho \geq$	conductivity $\sigma \leq$	$\mu\text{S/cm}$	resistivity $\rho \geq$	conductivity $\sigma \leq$	$\mu\text{S/cm}$
Ωcm	mS/m	$\mu\text{S/cm}$	Ωcm	mS/m	$\mu\text{S/cm}$	Ωcm	mS/m	$\mu\text{S/cm}$
1100	91	910	970	103	1031	895	112	1117

16.4.1 Sizing the pipework

When calculating the size of the pipework, an water heater pressure drop of 14.5 psi (0.97 bar) is recommended.

16.5 Fault conditions

In the event of a fault, temperatures up to 176 °F (80 °C) at a pressure of 145 psi (1.0 MPa) can occur briefly in the installation.

INSTALLATION Specification

16.6 Data tables

	DHC 3/3.5-1 Trend	DHC 4/6-2 Trend	
Item no.	200060	200062	
Electrical data			
Phase (50/60 Hz)	1/N/GND	1/N/GND 2/GND	
Rated voltage	120 V	240 V	208 V
Rated output ¹ , jumper position 1 [low] / 2 [high]	3.0 kW / 3.5 kW	3.8 kW / 6.0 kW	2.9 kW / 4.5 kW
Amperage draw, jumper position 1 [low] / 2 [high]	25 A / 29.2 A	15.8 A / 25 A	13.9 A / 21.7 A
Min. recommended circuit breaker size ² , jumper position 1 [low] / 2 [high]	25 A / 30 A	20 A / 25 A	15 A / 25 A
Min recommended wire size ³ (copper), jumper position 1 [low] / 2 [high]	10/2 AWG / 10/2 AWG	12/2 AWG / 10/2 AWG	14/2 AWG / 10/2 AWG
Min. resistivity $\rho_{15} \geq$	1100 Ω cm		
Max. conductivity $\sigma_{15} \leq$	910 μ S/cm		
Connections			
Water connections	1/2" NPT		
Application limits			
Maximum permissible pressure	145 psi (1 MPa)		
Maximum inlet temperature for reheating	131 °F (55 °C)		
Maximum inlet temperature	149 °F (65 °C)		
Temperature setting values @ 240 V	100/109/122/140 °F (38/43/50/60 °C)		
Hydraulic data			
Minimum water flow to activate unit	0.264 gal (1.0 l/min)		
Nominal water volume	0.07 gal (0.277 l)		
Other			
Type of installation	Over-sink/under-sink		
Protection class	1		
Insulating block	Glass-reinforced polyamide		
Heating system	Direct Coil™		
Cover and back panel	Plastic		
Color	White		
Dimensions			
Height	14 1/8" (360 mm)		
Width	8" (202 mm)		
Depth	3 7/8" (98 mm)		
Weights			
Weight	5.5 lbs (2.5 kg)		

DHC 3/3.5-1 Trend ships with a 0.5 gpm (1.9 l/min) pressure compensating flow-reducer/aerator that must be installed.

DHC 4/6-2 Trend ships with 2 x 0.5 gpm (1.9 l/min) and a 1.0 gpm (3.8 l/min) pressure compensating flow-reducer/aerator that must be installed. See section 10.3, "Aerator installation at connected faucet," pg. 10 for more information.

¹ Factory default setting is jumper position 2 [high]

² Overcurrent protection sized at 100% of load. Tankless water heaters are considered a non-continuous load. Use only GFCI Class A circuit breakers.

³ Copper conductors with a temperature rating of 75 °C or greater must be used. Conductors should be sized to maintain a voltage drop of less than 3% under load. These are our recommendations. Check local codes for compliance if necessary.

INSTALLATION

Specification

	DHC 8/10-2 Trend		DHC 12/15-2 Trend	
Item no.	200063		200064	
Electrical data				
Phase (50/60 Hz)	1/N/GND 2/GND			
Rated voltage	240 V	208 V	240 V	208 V
Rated output ¹ , jumper position 1 [low] / 2 [high]	7.2 kW / 9.6 kW	5.4 kW / 7.2 kW	12.0 kW / 14.4 kW	9.0 kW / 10.8 kW
Amperage draw, jumper position 1 [low] / 2 [high]	30 A / 40 A	26 A / 34.6 A	50 A / 60 A	43.3 A / 52 A
Min. recommended circuit breaker size ² , jumper position 1 [low] / 2 [high]	30 A / 40 A	30 A / 35 A	50 A / 60 A	50 A / 60 A
Min recommended wire size ³ (copper), jumper position 1 [low] / 2 [high]	10/2 AWG / 8/2 AWG	10/2 AWG / 8/2 AWG	8/2 AWG / 6/2 AWG	8/2 AWG / 6/2 AWG
Min. resistivity $\rho_{15} \geq$	1100 Ω cm			
Max. conductivity $\sigma_{15} \leq$	910 μ S/cm			
Connections				
Water connections	1/2" NPT			
Application limits				
Maximum permissible pressure	145 psi (1 MPa)			
Maximum inlet temperature for reheating	131 °F (55 °C)			
Maximum inlet temperature	149 °F (65 °C)			
Temperature setting values @ 240 V	100/109/122/140 °F (38/43/50/60 °C)			
Hydraulic data				
Minimum water flow to activate unit	0.264 gal (1.0 l/min)			
Nominal water volume	0.07 gal (0.277 l)			
Other				
Type of installation	Over-sink/under-sink			
Protection class	1			
Insulating block	Glass-reinforced polyamide			
Heating system	Direct Coil			
Cover and back panel	Plastic			
Color	White			
Dimensions				
Height	14 1/8" (360 mm)			
Width	8" (202 mm)			
Depth	3 7/8" (98 mm)			
Weights				
Weight	5.5 lbs (2.5 kg)			

¹ Factory default setting is jumper position 2 [high]

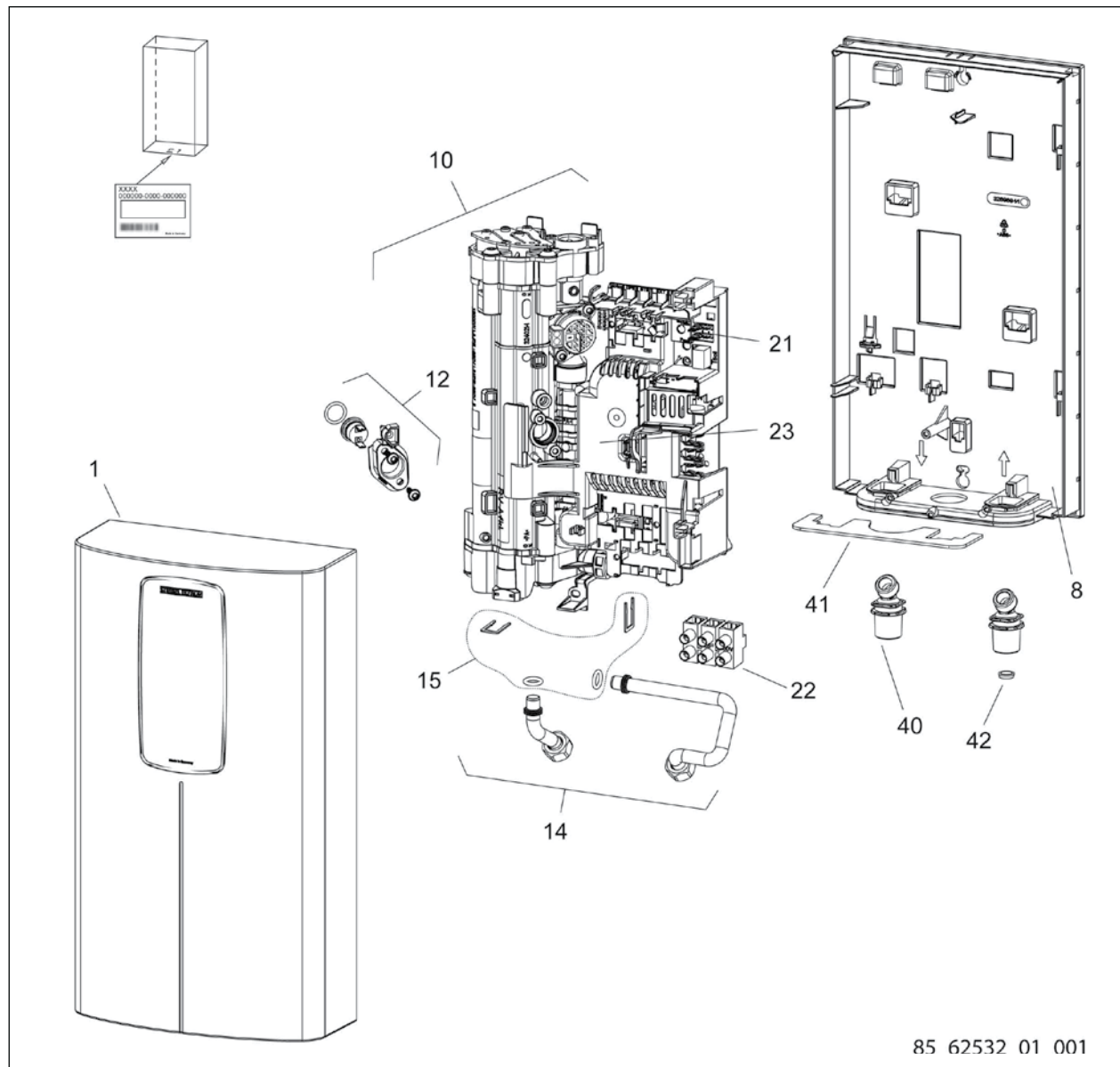
² Overcurrent protection sized at 100% of load. Tankless water heaters are considered a non-continuous load. Use only GFCI Class A circuit breakers.

³ Copper conductors with a temperature rating of 75 °C or greater must be used. Conductors should be sized to maintain a voltage drop of less than 3% under load.

These are our recommendations. Check local codes for compliance if necessary.

17. Spare parts

No.	Spare part	DHC 3/3.5-1 Trend	DHC 4/6-2 Trend	DHC 8/10-2 Trend	DHC 12/15-2 Trend
1	Housing (front)	348147	348147	348147	348147
8	Housing (back)	348143	348143	348143	348143
10	Function module	348150	348151	348152	348153
12	Self-resetting high limit safety cut-out, Klixon	340529	340529	340529	340529
14	Pipe elbow set	340542	340542	340542	340542
15	Pipe elbow connection set (includes clips and gaskets)	320540	320540	320540	320540
21	Jumper plug (red)	283455	283455	283455	283455
22	Wiring block	326655	326655	326655	326655
23	Electronics cover	344146	344146	344146	344146
40	Water connection fittings (2) - 1/2" NPT / G3/8"	326589	326589	326589	326589
41	Locking sheet	326234	326234	326234	326234
42	Filter screen	275981	275981	275981	275981



85 62532 01 001

18. Warranty

Subject to the terms and conditions set forth in this limited warranty, Stiebel Eltron, Inc. (the "Manufacturer") hereby warrants to the original purchaser (the "Owner") that each Tankless Electric Domestic Hot Water Heater (the "Heater") shall not (i) leak due to defects in the Manufacturer's materials or workmanship for a period of ten (10) years from the date of purchase or (ii) fail due to defects in the Manufacturer's materials or workmanship for a period of three (3) years from the date of purchase. As Owner's sole and exclusive remedy for breach of the above warranty, Manufacturer shall, at the Manufacturer's discretion, send replacement parts for local repair; retrieve the unit for factory repair, or replace the defective Heater with a replacement unit with comparable operating features. Manufacturer's maximum liability under all circumstances shall be limited to the Owner's purchase price for the Heater.

This limited warranty shall be the exclusive warranty made by the Manufacturer and is made in lieu of all other warranties, express or implied, whether written or oral, including, but not limited to warranties of merchantability and fitness for a particular purpose. Manufacturer shall not be liable for incidental, consequential or contingent damages or expenses arising directly or indirectly from any defect in the Heater or the use of the Heater. Manufacturer shall not be liable for any water damage or other damage to property of Owner arising, directly or indirectly, from any defect in the Heater or the use of the Heater. Manufacturer alone is authorized to make all warranties on Manufacturer's behalf and no statement, warranty or guarantee made by any other party shall be binding on Manufacturer.

Manufacturer shall not be liable for any damage whatsoever relating to or caused by:

1. any misuse or neglect of the Heater, any accident to the Heater, any alteration of the Heater, or any other unintended use;
2. acts of God and circumstances over which Manufacturer has no control;



The installation, electrical connection and first operation of this appliance should be carried out by a qualified installer.



The company does not accept liability for failure of any goods supplied which have not been installed and operated in accordance with the manufacturer's instructions.

3. installation of the Heater other than as directed by Manufacturer and other than in accordance with applicable building codes;
4. failure to maintain the Heater or to operate the Heater in accordance with the Manufacturer's specifications;
5. operation of the Heater under fluctuating water pressure or in the event the Heater is supplied with non-potable water, for any duration;
6. improper installation and/or improper materials used by any installer and not relating to defects in parts or workmanship of Manufacturer;
7. moving the Heater from its original place of installation;
8. exposure to freezing conditions;
9. water quality issues such as corrosive water, hard water, and water contaminated with pollutants or additives;

Should owner wish to return the Heater to manufacturer for repair or replacement under this warranty, Owner must first secure written authorization from Manufacturer. Owner shall demonstrate proof of purchase, including a purchase date, and shall be responsible for all removal and transportation costs. If Owner cannot demonstrate a purchase date this warranty shall be limited to the period beginning from the date of manufacture stamped on the Heater. Manufacturer reserves the right to deny warranty coverage upon Manufacturer's examination of Heater. This warranty is restricted to the Owner and cannot be assigned.

Some States and Provinces do not allow the exclusion or limitation of certain warranties. In such cases, the limitations set forth herein may not apply to the Owner. In such cases this warranty shall be limited to the shortest period and lowest damage amounts allowed by law. This warranty gives you specific legal rights and you may also have other rights which vary from State to State or Province to Province.

Owner shall be responsible for all labor and other charges incurred in the removal or repair of the Heater in the field. Please also note that the Heater must be installed in such a manner that if any leak does occur, the flow of water from any leak will not damage the area in which it is installed.

Environment and recycling

Please help us to protect the environment by disposing of the packaging in accordance with the national regulations for waste processing.

This Warranty is valid for U.S.A. & Canada only. Warranties may vary by country. Please consult your local Stiebel Eltron Representative for the Warranty for your country.

TABLA DE CONTENIDO

GUÍA RÁPIDA DE INICIO

INFORMACIÓN ESPECIAL

FUNCIONAMIENTO

1. Información general	25
1.1 Instrucciones de seguridad	25
1.2 Otros símbolos que aparecen en esta documentación	25
1.3 Unidades de medida	25
2. Seguridad	25
2.1 Uso correcto	25
2.2 Instrucciones generales de seguridad	25
2.3 Símbolos de prueba	26
2.4 Licencias/certificados	26
3. Registre su producto	27
4. Descripción del calentador de agua	27
4.1 Configuraciones recomendadas	27
5. Limpieza, cuidado y mantenimiento	27
6. Resolución de problemas	28

INSTALACIÓN

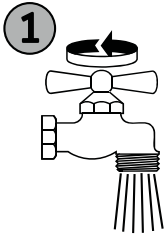

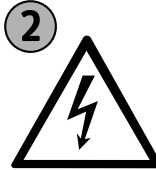
7. Seguridad	28
7.1 Instrucciones generales de seguridad	28
7.2 Instrucciones, normas y regulaciones	28
8. Descripción del calentador de agua	28
8.1 Entrega común	28
9. Preparativos	29
9.1 Lugar de instalación	29
9.2 Espacios libres mínimos	29
10. Instalación	29
10.1 Instalación estándar en la pared	29
10.2 Conexiones de agua	30
10.3 Instalación del aireador en el grifo conectado	31
10.4 Conexión eléctrica	31
10.5 Conexión eléctrica con un cable de alimentación corto	32
10.6 Bloque de cableado	32
11. Puesta en marcha	32
11.1 Ajuste de temperatura a través de la ranura del puente	32
11.2 Cambiar la salida de potencia a través de la ranura del puente	33
11.3 Puesta en marcha inicial	33
11.4 Operación con agua precalentada	34
11.5 Reinicio	34
12. Apagado del calentador de agua	34
13. Información para servicio técnico	34
14. Mantenimiento	35
14.1 Drenaje del calentador de agua	35
14.2 Limpieza de la malla del filtro	35
15. Resolución de problemas	36
16. Especificaciones	37
17. Dimensiones y conexiones	37
17.1 Diagramas de cableado	37
17.2 Salida del ACS	38

17.3 Áreas de aplicación/tabla de conversión	38
17.4 Condiciones de falla	38
17.5 Tablas de datos	39
18. Repuestos	41
19. Garantía	42

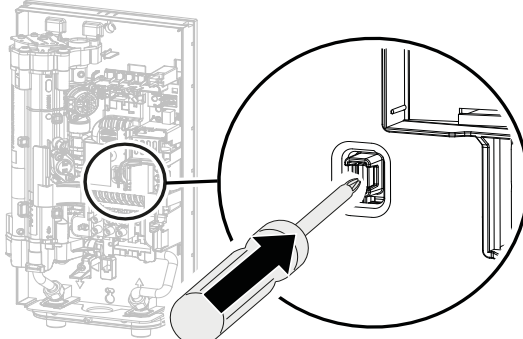
GUÍA RÁPIDA DE INICIO

Antes de encender el calentador de agua, DEBE eliminar todo el aire del sistema y luego activar el interruptor de seguridad AE3. La unidad NO funcionará hasta el interruptor de seguridad AE3 no se encuentre activado.

- 1 Monte la unidad en la pared (Consulte la sección 10.1, “Instalación estándar en la pared”, pág. 29).
- 2 Conecte las conexiones de agua (Consulte la sección 10.2, “Conexiones de agua”, pág. 30).
- 3 Conecte las conexiones eléctricas, pero mantenga el interruptor apagado. (Consulte la sección 10.4, “Conexión eléctrica”, pág. 31)

	Abra el grifo  $\geq 3 \text{ min.}$		Encienda la fuente de alimentación.	D0000053277
--	---	---	-------------------------------------	-------------

- 4 Abra y cierre todas las válvulas de salida conectadas al menos 5 veces, durante al menos 3 minutos en total, hasta que se haya purgado todo el aire de la tubería y el calentador de agua.
- 5 Asegúrese de que no haya fugas de agua en ninguna conexión de plomería.

	D0000094561-b
---	---------------

- 6 Active el interruptor de seguridad AE3 presionando firmemente el botón blanco de reinicio hasta que haga clic y se bloquee en su lugar (el calentador de agua se entrega con el interruptor de seguridad desactivado).
- 7 Encienda el calentador de agua accionando el interruptor del panel de interruptores.

INFORMACIÓN ESPECIAL

- Lea todo este manual. El incumplimiento de todas las guías, instrucciones y normas puede causar lesiones personales o daños a la propiedad. La instalación, el ajuste, la alteración, el servicio y el uso incorrectos de esta unidad pueden provocar lesiones graves.
- Esta unidad debe ser instalada por un electricista y plomero autorizado. La instalación debe cumplir con todos los códigos de plomería y electricidad nacionales, estatales y locales. La instalación correcta es responsabilidad del instalador. El incumplimiento de las instrucciones de instalación y funcionamiento o el uso incorrecto anulan la garantía.
- Guarde estas instrucciones para referencia futura. El instalador debe dejar estas instrucciones al consumidor.
- Si tiene alguna consulta con respecto a la instalación, el uso o el funcionamiento de este calentador de agua, o si necesita manuales de instalación adicionales, comuníquese con nuestra línea de servicio técnico al 800.582.8423 (solo para EE. UU. y Canadá). Si llama desde fuera de EE. UU. o Canadá, llame al número 413.247.3380 de EE. UU. y lo derivaremos a un asesor calificado de servicio de Stiebel Eltron dentro de su área.
- El calentador de agua es adecuado para suministrar una ducha en muchos climas (funcionamiento de la ducha). Si el calentador de agua se utiliza también o exclusivamente para el funcionamiento de la ducha, el contratista cualificado debe ajustar el rango de ajuste de la temperatura a 122 °F (50 °C) o menos utilizando la protección interna antiquemaduras del calentador de agua. Cuando se utilice agua precalentada, debe asegurarse de que la temperatura de entrada no supere los 131 °F (55 °C).
- El voltaje especificado debe coincidir con la fuente de alimentación. Consulte la placa de identificación en el lado derecho del calentador de agua.
- Asegúrese de que el calentador de agua pueda separarse de la fuente de alimentación mediante un disyuntor que desconecte todos los polos con una separación de contacto de al menos 1/8 pulg. (3 mm).

- PRECAUCIÓN: NO INSTALE EL CALENTADOR DENTRO DE UNA MAMPARA DE BAÑO O MAMPARA DE DUCHA NI LO CONECTE A UN ABLANDADOR DE AGUA DE SAL REGENERANTE O A UN SUMINISTRO DE AGUA SALADA.

PARA USO EN UN CIRCUITO DE RAMA INDIVIDUAL SOLAMENTE

PRECAUCIÓN: CONECTAR SOLO A UN CIRCUITO PROTEGIDO POR UN INTERRUPTOR DIFERENCIAL CLASE A

USE SÓLO CONDUCTORES DE COBRE

USE EL CONDUCTOR DE UNIÓN ADECUADO SEGÚN EL CÓDIGO ELÉCTRICO CANADIENSE, PARTE I

- El calentador de agua debe estar correctamente conectado a tierra. Consulte la sección 17.1, “Diagramas de cableado”, pág. 37.
- El calentador de agua debe estar conectado permanentemente a un cableado fijo. Solo se debe usar en un circuito derivado individual. Consulte la sección 17.1, “Diagramas de cableado”, pág. 37.
- Asegure el calentador de agua como se describe en el capítulo 10, “Instalación”, pág. 29.
- Respete la presión mínima permitida de 26.1 psi (1.8 bar). Consulte la sección 17.5, “Tablas de datos”, pág. 39.
- Respete la presión mínima permitida de 145 psi (10 bar). Consulte la sección 17.5, “Tablas de datos”, pág. 39.
- Drene el calentador de agua como se describe en la sección Consulte la sección 14.1, “Drenaje del calentador de agua”, pág. 35.

FUNCIONAMIENTO

1. Información general

Los capítulos “Información especial” y “Funcionamiento” están destinados tanto a usuarios como a técnicos calificados.

El capítulo “Instalación” está destinado a técnicos calificados.



Nota

Lea estas instrucciones con detenimiento antes de usar el calentador de agua y consérvelas para referencia futura. Si es necesario, pase las instrucciones a un nuevo usuario.

1.1 Instrucciones de seguridad

1.1.1 Estructura de las instrucciones de seguridad



PALABRA CLAVE Tipo de riesgo

A continuación, se enumeran las posibles consecuencias que pueden resultar del incumplimiento de las instrucciones de seguridad.

► Se indica cómo prevenir el riesgo.

1.1.2 Símbolos y tipos de riesgo

Símbolo	Tipo de riesgo
	Lesiones
	Electrocución
	Quemaduras (quemaduras, escaldaduras)

1.1.3 Palabras clave

PALABRA CLAVE	Significado
PELIGRO	El incumplimiento de esta información provocará lesiones graves o la muerte.
ADVERTENCIA	El incumplimiento de esta información puede provocar lesiones graves o la muerte.
PRECAUCIÓN	El incumplimiento de esta información puede provocar lesiones no graves o leves.

1.2 Otros símbolos que aparecen en esta documentación



Nota

La información general se identifica con el símbolo adyacente.

► Lea estos textos cuidadosamente.

Símbolo	Significado
	Pérdidas materiales (Daño del calentador de agua, pérdidas indirectas y contaminación ambiental)
	Eliminación del aparato

► Este símbolo indica que usted tiene que hacer algo. La acción que debe realizar se describe paso a paso.

1.3 Unidades de medida



Nota

Todas las medidas se dan en pulgadas (milímetros), a menos que se indique lo contrario.

2. Seguridad

2.1 Uso correcto

El DHC Trend es adecuada para calentar agua caliente doméstica o para recalentar agua precalentada. El calentador de agua puede suministrar uno o más puntos de extracción como el lavado de manos, la cocina o los lavabos.

Ejemplos:

- Fregaderos de baño en instalaciones comerciales/industriales y hogares

- Las áreas de cocina en instalaciones comerciales/industriales y hogares

- Usos especiales en tiendas de revelado de fotos, laboratorios, etc.

El agua no se recalentará si la misma excede la temperatura máxima de entrada para el recalentamiento.

El calentador de agua está diseñado para uso doméstico. Puede ser utilizado de manera segura por personas no capacitadas. El calentador de agua también se puede usar en entornos no domésticos, por ejemplo, en pequeñas empresas, con la condición de que se utilice de la misma manera.

Cualquier otro uso que no esté estipulado se considerará inapropiado. El cumplimiento de estas instrucciones y de las instrucciones de cualquier accesorio también forma parte del uso correcto de este calentador de agua.

2.2 Instrucciones generales de seguridad



PELIGRO Quemaduras

Las temperaturas de agua superiores a 125 °F (52 °C) pueden causar quemaduras graves al instante o muerte por quemadura. Si el puente del calentador de agua está demasiado alto, puede causar quemaduras. Si en su hogar hay niños pequeños o personas mayores o discapacitadas, puede ajustar el puente a 110 °F (43 °C) o menos para evitar posibles lesiones por agua caliente.



PRECAUCIÓN Quemaduras

Si funciona con agua precalentada, por ejemplo, de un sistema térmico solar, la temperatura del agua caliente sanitaria (ACS) puede variar de la temperatura establecida.



PRECAUCIÓN Quemaduras

Durante el funcionamiento, el grifo puede alcanzar temperaturas de hasta 149 °F (65 °C). Existe riesgo de quemaduras cuando la temperatura del agua que sale supera los 110 °F (43 °C).



PELIGRO Lesiones

Por favor lea y siga estas instrucciones. El incumplimiento de estas instrucciones puede provocar lesiones personales graves o la muerte.



PRECAUCIÓN: NO INSTALE EL CALENTADOR DENTRO DE UNA MAMPARA DE BAÑO O MAMPARA DE DUCHA NI LO CONECTE A UN ABLANDADOR DE AGUA DE SAL REGENERANTE O A UN SUMINISTRO DE AGUA SALADA.

PARA USO EN UN CIRCUITO DE RAMA INDIVIDUAL SOLAMENTE

PRECAUCIÓN: CONECTAR SOLO A UN CIRCUITO PROTEGIDO POR UN INTERRUPTOR DIFERENCIAL CLASE A USE SÓLO CONDUCTORES DE COBRE

USE EL CONDUCTOR DE UNIÓN ADECUADO SEGÚN EL CÓDIGO ELÉCTRICO CANADIENSE, PARTE I



PELIGRO ELECTROCUCIÓN

ANTES DE PROCEDER CON CUALQUIER INSTALACIÓN, AJUSTE, ALTERACIÓN O SERVICIO TÉCNICO DE ESTE APARATO, TODOS LOS DISYUNTORES E INTERRUPTORES DE CONEXIÓN QUE LO ALIMENTAN DEBEN ESTAR APAGADOS. DE LO CONTRARIO, PODRÍAN PRODUCIRSE LESIONES PERSONALES GRAVES O LA MUERTE.



ADVERTENCIA ELECTROCUCIÓN

NUNCA quite ni vuelva a colocar la cubierta del calentador de agua sin desconectar la electricidad. De lo contrario, podrían producirse lesiones personales graves o la muerte.



ADVERTENCIA Electrocución

La conexión a la fuente de alimentación sólo está permitida como conexión permanente en conjunción con una pinza Romex 3/4 pulg. Asegúrese de que el calentador de agua puede ser separado de la fuente de alimentación por un aislante que desconecte todos los polos con al menos 1/8 pulg. (3 mm) de separación de contactos.



DAÑOS AL CALENTADOR DE AGUA Y AL MEDIO AMBIENTE:

El calentador de agua debe ser instalado por un electricista y un plomero con licencia. La instalación debe cumplir con todos los códigos nacionales, estatales y locales de plomería y electricidad.

El servicio del calentador de agua debe ser realizado por técnicos de servicio cualificados.



DAÑOS AL CALENTADOR DE AGUA Y AL MEDIO AMBIENTE:

Este aparato debe estar alimentado por un sistema conectado a tierra. Se proporciona un terminal verde (o un conector de cable marcado "G", "GR", "GROUND" O "GROUNDING") para el cableado del aparato. Para reducir el riesgo de descarga eléctrica, conecte este terminal o conector al terminal de conexión a tierra del servicio eléctrico o al panel de suministro a través de un cable de cobre continuo que cumpla con lo estipulado en el código de instalación eléctrica.



ADVERTENCIA Lesiones

Cuando se permita a niños o personas con capacidades físicas, sensoriales o mentales limitadas controlar este calentador de agua, asegúrese de que esto sólo se haga bajo supervisión o tras las instrucciones apropiadas de una persona responsable de su seguridad. Los niños deben ser supervisados para asegurar que nunca jueguen con el calentador de agua.

Si usted permite a los niños o las personas con capacidades físicas, sensoriales o mentales limitadas usar este calentador de agua, recomendamos que solicite al técnico calificado que establezca un límite de temperatura permanente usando la "Protección interna contra quemaduras". Consulte la sección 11.1, "Ajuste de temperatura a través de la ranura del puente", pág. 32.



Pérdidas materiales

El usuario debe proteger el calentador de agua de la escarcha.

2.3 Símbolos de prueba

Consulte la placa de identificación del calentador de agua.

2.4 Licencias/certificados

- UL (EE. UU.) Std. 499
- CSA (Canadá) Std. C22.2 No. 64

3. Registre su producto



Debe registrar este producto en un plazo de 90 días a partir de la fecha de compra en nuestro sitio web para activar la garantía estándar. Vaya a nuestro sitio web en www.stiebel-eltron-usa.com y haga clic en “Registre su producto” (Register Your Product).

Antes de comenzar el proceso de registro, le sugerimos que recopile la siguiente información que necesitará:

Tipo, ejemplo: DHC 4/6-2 Trend (de la etiqueta que está en la unidad)

El número que aparece después de “No.”

Lugar de compra

Fecha de compra

Nombre y apellido

Dirección de correo electrónico

Dirección postal

Número de teléfono

Fecha de instalación

Si tiene alguna pregunta en relación con el proceso de registro o con las opciones de garantía, por favor, póngase en contacto directamente con Stiebel Eltron USA en el número de teléfono (800)-582-8423.

4. Descripción del calentador de agua

El calentador de agua se enciende automáticamente al abrir la válvula de agua caliente del grifo. Al cerrar el grifo, el calentador de agua se apaga automáticamente.

La unidad de control regula la salida de calor correcta de acuerdo al caudal de activación, a la temperatura que su técnico seleccionó internamente mediante un puente durante la instalación y a la temperatura actual del agua fría que ingresa.

Si el calentador de agua funciona con agua precalentada y la temperatura del agua que ingresa excede la temperatura establecida, el agua no se calentará más.

Temperatura fija del ACS (Agua caliente sanitaria)

El calentador calienta el agua a medida que esta fluye por la unidad.

La temperatura de salida fija de agua corriente puede ser ajustada por un técnico a través del puente durante la instalación. El valor predeterminado de fábrica es 100 °F (38 °C). Otros valores que se pueden seleccionar son: 110 °F (43 °C), 122 °F (50 °C), 140 °F (60 °C). Consulte la sección 10.2, “Conexiones de agua”, pág. 30 para más información.

Sistema de calentamiento

El sistema de calentamiento en espiral está compuesto por una cámara de calentamiento de poliamida reforzada con vidrio y probada a presión que contiene una bobina de calentamiento directo de alambre de níquel. Está diseñado para aguas duras y blandas y

es, en gran medida, resistente a la acumulación de incrustaciones. El sistema de calentamiento en espiral asegura la producción rápida y eficiente de ACS.



Nota

El calentador de agua está equipado con un detector de aire que evita el daño al sistema de calentamiento. Si, durante el funcionamiento, ingresa aire al calentador de agua, el calentador de agua apagará la salida de calor durante un minuto para proteger el sistema de calentamiento.

4.1 Configuraciones recomendadas

El DHC Trend ofrece la máxima comodidad y precisión al proporcionar agua caliente sanitaria. Si usted va a utilizar el calentador de agua con una válvula termostática, le recomendamos ajustar la temperatura establecida requerida en la válvula termostática.

4.1.1 Después de una interrupción en el suministro de agua



Pérdidas materiales

Para asegurarse de que el sistema de calentamiento en espiral no se dañe después de una interrupción en el suministro de agua, debe seguir estos pasos para reiniciar el calentador de agua.

- ▶ Apague la alimentación eléctrica de la unidad en el panel de interruptores, asegurándose de que los interruptores de circuito conectados estén en la posición “OFF”, para evitar cualquier peligro de descarga eléctrica.
- ▶ Abra y cierre el grifo al menos cinco veces durante un total de tres minutos, hasta que no quede aire dentro del calentador de agua ni de la línea de entrada de agua fría.

Vuelva a colocar los interruptores en la posición “ON” para reconectar la alimentación eléctrica.

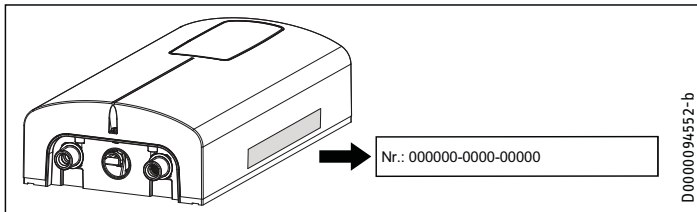
5. Limpieza, cuidado y mantenimiento

- ▶ Nunca use agentes de limpieza abrasivos o corrosivos. Use un paño húmedo para limpiar el calentador de agua.
- ▶ Verifique los grifos regularmente. Se pueden eliminar los depósitos de cal de las salidas de los grifos con agentes desincrustantes disponibles en el mercado.

6. Resolución de problemas

Problema	Causa	Solución
El calentador de agua no arranca a pesar de que la válvula de agua corriente está completamente abierta	No hay electricidad	Verifique si saltó el interruptor del panel de interruptores. Reinicie si es necesario No se activó el interruptor blanco de seguridad AE3 durante la configuración inicial. ActíVELO si es necesario (Consulte la sección 11.3.1, "Activación inicial del interruptor de seguridad AE3", pág. 34). Si el interruptor AE3 saltó después de la instalación inicial, comuníquese con un técnico calificado para solucionar la causa
	El aireador del grifo o la regadera tiene incrustaciones o suciedad	Limpie y/o desincruste el aireador o la regadera
	Se ha interrumpido el suministro de agua	Ventile el calentador de agua y la línea de entrada de agua fría
Cuando se extrae agua caliente, por un período corto, sale agua fría	El detector de aire detecta aire en el agua. Se apaga la salida de calor brevemente	El calentador de agua se reinicia automáticamente después de 1 minuto

Si no puede resolver la falla, comuníquese con un técnico calificado. Para facilitar y agilizar su solicitud, proporcione el número de serie de la placa de identificación (000000-0000-000000). Para asistencia técnica en vivo, por favor contáctenos al 800.582.8423. Alternativamente, puede enviarnos un correo electrónico a info@stiebel-eltron-usa.com.



INSTALACIÓN

7. Seguridad

Los trabajos de instalación, verificación y reparación del calentador de agua solo deben ser realizados por un técnico calificado.

7.1 Instrucciones generales de seguridad

Garantizamos el funcionamiento sin problemas y la confiabilidad operativa solo si se utilizan accesorios y repuestos originales destinados al calentador de agua.



Pérdidas materiales

Respete la temperatura máxima de entrada. Las temperaturas superiores pueden dañar el calentador de agua. Puede limitar la temperatura máxima de entrada instalando una válvula termostática central.



ADVERTENCIA Electrocuación

Este calentador de agua contiene condensadores que se descargan cuando se desconecta de la fuente de alimentación. El voltaje de descarga del condensador puede exceder brevemente los 60 V CC.

7.2 Instrucciones, normas y regulaciones



Nota

Respete todas las regulaciones e instrucciones nacionales y regionales pertinentes.

- La resistividad eléctrica del agua no debe ser inferior a la indicada en la placa de identificación. En una red de agua vinculada, tenga en cuenta la resistividad eléctrica más baja del agua. Su empresa de suministro de agua puede informarle sobre la resistividad eléctrica o la conductividad del agua en su área.

8. Descripción del calentador de agua

8.1 Entrega común

Junto con el calentador de agua, se entregan:

- Malla de filtro, instalada de fábrica en la entrada de agua fría
- Puente para ajuste de temperatura, conectado
- Puente para la selección de la potencia de salida, conectado
- Puente de repuesto, conectado
- 2 x tornillos de montaje
- 2 x anclajes de pared
- Reductor de flujo/aerador de 0.5 gpm (1.9 l/min), DHC 3/3.5-1 Trend solamente. Consulte la sección 10.3, "Instalación del aireador en el grifo conectado", pág. 31, para más información.

INSTALACIÓN

Preparativos

- 2 x reductores de flujo/aireadores de 0.5 gpm (1.9 l/min) y 1 x reductor de flujo/aireador de 1.0 gpm (3.8 l/min), DHC 4/6-2 Trend solamente. Consulte la sección 10.3, "Instalación del aireador en el grifo conectado", pág. 31, para más información.

9. Preparativos

9.1 Lugar de instalación



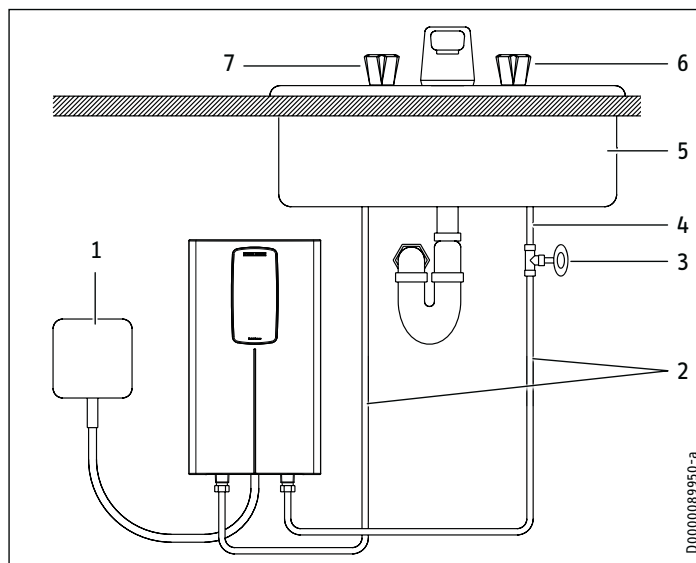
Pérdidas materiales

Instale el calentador de agua en una habitación en la que no haya riesgo de escarcha.

- Instalar DHC Trend en un área libre de heladas. Si puede producirse una helada, retire la unidad antes de que se establezcan las temperaturas de congelación.
- Instale siempre el calentador de agua verticalmente con los accesorios de plomería apuntando hacia abajo. Instale el calentador de agua cerca del punto de extracción para minimizar los tramos de tubería y las pérdidas térmicas.
- **Grifos:** No utilice grifos con válvula de venteo o grifos sin presurizar.

El calentador de agua es adecuado para la instalación bajo el fregadero y sobre el fregadero.

Típica instalación bajo el fregadero



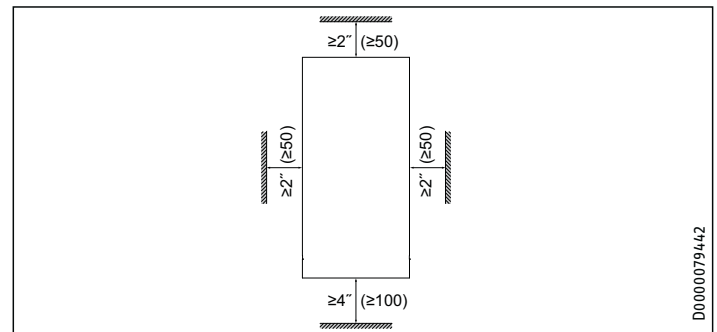
- 1 Caja eléctrica
- 2 1/2 pulg. línea de suministro de agua para la instalación del grifo
- 3 Válvula de apagado
- 4 Suministro de agua fría
- 5 Lavamanos
- 6 Válvula fría (derecha)
- 7 Válvula caliente (izquierda)



Nota

- Instale el calentador de agua al ras de la pared. La pared debe tener suficiente capacidad de carga.

9.2 Espacios libres mínimos



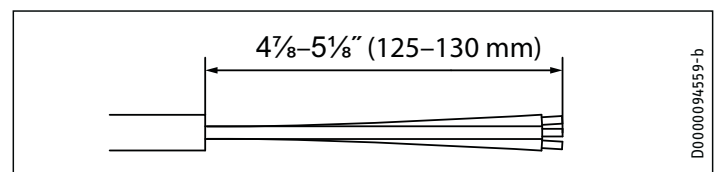
- Mantenga los espacios libres mínimos para garantizar un funcionamiento sin problemas del calentador de agua y facilitar el trabajo de mantenimiento.

10. Instalación

Ajustes de fábrica	DHC 3/3.5-1 Trend	DHC 4/6-2 Trend	DHC 8/10-2 Trend	DHC 12/15-2 Trend
Ajuste de temperatura interna en °F (°C)	100 (38)	100 (38)	100 (38)	100 (38)
Potencia de salida	@ 120 V 3.5 kW	-	-	-
	@ 208 V -	4.5 kW	7.2 kW	10.8 kW
	@ 240 V -	6.0 kW	9.6 kW	14.4 kW

10.1 Instalación estándar en la pared

10.1.1 Preparando el cable de alimentación



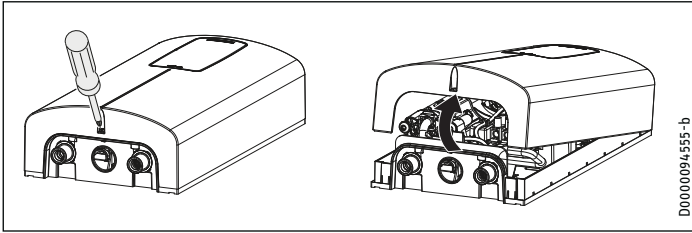
- Prepara el cable de alimentación.

10.1.2 Instrucciones de montaje

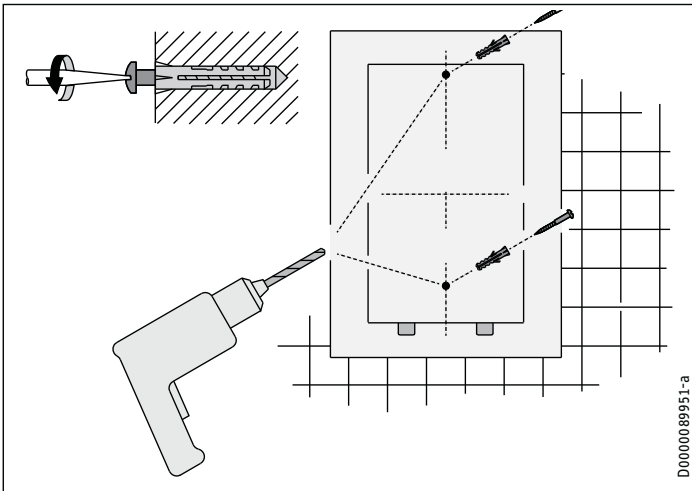
- Instale DHC Trend lo más cerca posible del punto de extracción de agua caliente, por ejemplo, directamente debajo del lavabo.
- Instale DHC Trend en un área libre de heladas. Si se produce escarcha, retire la unidad antes de que se establezcan las temperaturas de congelación.
- Respete las distancias mínimas en todos los lados para asegurar un servicio sin obstrucciones si es necesario.
- Retire la cubierta de plástico desenroscando el tornillo en la parte inferior. Levante la cubierta desde la parte inferior.

INSTALACIÓN

Instalación



- ▶ Marque los 2 agujeros de perforación, refiriéndose a su posición usando el panel trasero del calentador de agua como guía.
- ▶ Ponga el panel trasero del calentador de agua a un lado y taladre los 2 agujeros marcados.
- ▶ Instale los anclajes de pared en la pared, luego inserte y apriete cada tornillo de montaje parcialmente. Se proporcionan tornillos y anclajes de pared de plástico para el montaje en pared de yeso o madera.
- ▶ Cuelgue la unidad en los 2 tornillos de montaje, asegurándose de que la parte trasera de la unidad esté a ras de la pared.
- ▶ Una vez que la unidad esté en posición, móntela firmemente en la pared apretando completamente los 2 tornillos de montaje.



10.2 Conexiones de agua



PRECAUCIÓN: NO INSTALE EL CALENTADOR DENTRO DE UNA MAMPARA DE BAÑO O MAMPARA DE DUCHA NI LO CONECTE A UN ABLANDADOR DE AGUA DE SAL REGENERANTE O A UN SUMINISTRO DE AGUA SALADA.

PARA USO EN UN CIRCUITO DE RAMA INDIVIDUAL SOLAMENTE

PRECAUCIÓN: CONECTAR SOLO A UN CIRCUITO PROTEGIDO POR UN INTERRUPTOR DIFERENCIAL CLASE A

USE SÓLO CONDUCTORES DE COBRE

USE EL CONDUCTOR DE UNIÓN ADECUADO SEGÚN EL CÓDIGO ELÉCTRICO CANADIENSE, PARTE I



Pérdidas materiales

Lleve a cabo todos los trabajos de conexión e instalación de agua de acuerdo con la normativa.



Pérdidas materiales

El calor excesivo de las soldaduras en las tuberías de cobre cercanas al DHC puede causar daños en la unidad o en la pantalla de filtro de plástico situada en la entrada de agua fría.



AVISO

La conexión de agua fría a la unidad debe desconectarse periódicamente para limpiar la pantalla del filtro. Se requiere el uso de conexiones de agua que sean fácilmente desmontables, como los conectores flexibles de acero trenzado.



AVISO

El agua dura o con un alto recuento de minerales puede dañar la unidad. El daño a la unidad causado por la incrustación o un alto recuento de minerales no está cubierto por la garantía.



AVISO

Los calentadores de agua sin tanque como el DHC Trend no necesitan estar equipados con una válvula de alivio de temperatura y presión (T&P). Si el inspector local no pasa la instalación sin una T&P, debe instalarse en el lado de salida del agua caliente de la unidad.

10.2.1 Materiales de conexión de agua permitidos

- ▶ La salida de agua caliente del DHX (izquierda) está diseñada para conectarse a un tubo de cobre, un tubo PEX o una manguera trenzada de acero inoxidable con una rosca cónica hembra NPT de 1/2 pulg.
- ▶ La tubería de la entrada de agua fría (derecha) debe ser tal que se pueda quitar fácilmente para permitir el acceso a la malla de filtro de entrada. La forma más fácil de lograr esto es usar un conector flexible de acero trenzado con una conexión hembra NPT de 1/2 pulg.



Pérdidas materiales

Si se utilizan tuberías de plástico, tenga en cuenta la temperatura máxima de entrada y la presión máxima permitidas.

10.2.2 Velocidad de flujo

- ▶ Antes de encender el calentador de agua, asegúrese de tener la velocidad de flujo mínima para la activación: 0.264 galones (1.0 l/min).
- ▶ Si no se alcanza la velocidad de flujo mínima para la activación cuando la válvula de salida está completamente abierta, aumente la presión de la línea de agua.
- ▶ La presión mínima de la línea de suministro de agua fría entrante debe ser de al menos 26.1 psi (1.8 bar).

INSTALACIÓN

Instalación

10.2.3 Instrucciones para la conexión del agua



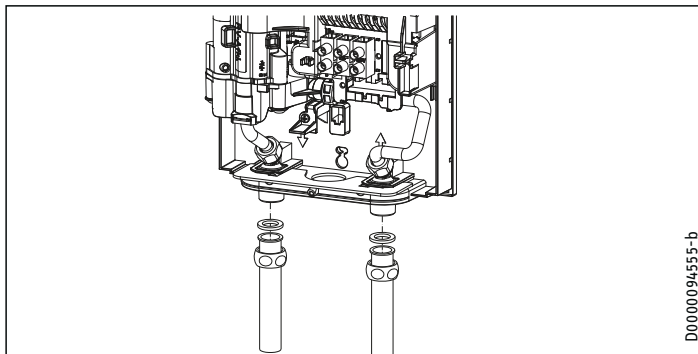
Pérdidas materiales

Si es necesario soldar cerca de la unidad, por favor dirija la llama lejos de la carcasa de la unidad para evitar daños. Tenga en cuenta que el calor excesivo de las soldaduras (no recomendado) cerca del accesorio de entrada de agua fría puede dañar la pantalla de plástico del filtro situada en su interior.

Todo trabajo de fontanería debe cumplir con los códigos de fontanería nacionales y estatales aplicables.

La conexión de agua fría (entrada) está en el lado derecho de la unidad, la conexión de agua caliente (salida) está en el lado izquierdo de la unidad.

- ▶ Debe instalarse una válvula reductora de presión si la presión del suministro de agua fría supera los 150 psi (10 bares).
- ▶ Asegúrese de que la línea de suministro de agua fría se haya enjuagado para eliminar cualquier cal y suciedad.
- ▶ Instale la válvula de cierre en la línea de agua fría como se muestra en la ilustración de la página 29. Esto permite aislar fácilmente la unidad para fines de mantenimiento.



- ▶ Conecta los conectores flexibles de acero trenzado (recomendados para la salida caliente, requeridos para la entrada fría, no suministrados) a los conectores macho NPT gemelos 1/2 pulg.
- ▶ Abra la válvula de apagado en la línea de entrada de agua fría.

Cuando todos los trabajos de plomería estén terminados, compruebe si hay fugas y tome las medidas correctivas antes de proceder.

10.3 Instalación del aireador en el grifo conectado

El DHC 3/3.5-1 Trend se entrega con un reductor/aerador de flujo compensatorio de presión de 0.5 gpm (1.9 l/min) que debe instalarse en el grifo al que está conectado el calentador de agua. Si no se instala el aireador, la temperatura del agua puede ser inferior a la deseada.

El DHC 4/6-2 Trend se entrega con un aireador de 1.0 gpm (3.8 l/min) y 2 x 0.5 gpm (1.9 l/min), lo que permite una máxima flexibilidad de instalación. Se debe instalar un solo aireador de 0.5 gpm o 1.0 gpm, dependiendo del aumento de temperatura requerido, cuando la unidad se utiliza en el ajuste de salida de potencia [baja] (posición de puente 1). En el ajuste de salida de potencia [alta]

(predeterminado de fábrica, posición de puente 2), la unidad puede conectarse a un solo fregadero utilizando el aireador de 1.0 gpm, o a dos fregaderos utilizando los aireadores de 2 x 0.5 gpm. Si no se instalan el(los) aireador(es), la temperatura del agua puede ser inferior a la deseada.

10.4 Conexión eléctrica



ADVERTENCIA Electrocutación

Antes de comenzar cualquier trabajo en la instalación eléctrica, asegúrese de que los interruptores del panel principal de interruptores estén en la posición "Off" para evitar cualquier peligro de descarga eléctrica. Antes de proceder con la conexión eléctrica, se debe completar el montaje y la plomería. Cuando así lo exijan los códigos eléctricos locales, estatales o nacionales, los circuitos deben contar con un "interruptor diferencial". La unidad debe estar correctamente conectada a tierra de acuerdo con los códigos estatales y locales o, en ausencia de dichos códigos, de acuerdo con el código eléctrico nacional o el código eléctrico canadiense. Si el producto no se conecta a tierra, se pueden producir lesiones personales graves o la muerte.



ADVERTENCIA Electrocutación

La conexión a la fuente de alimentación sólo está permitida como conexión permanente en conjunción con una pinza Romex 3/4 pulg. Asegúrese de que el calentador de agua puede ser separado de la fuente de alimentación por un aislante que desconecte todos los polos con al menos 1/8 pulg. (3 mm) de separación de contactos.



PRECAUCIÓN: NO INSTALE EL CALENTADOR DENTRO DE UNA MAMPARA DE BAÑO O MAMPARA DE DUCHA NI LO CONECTE A UN ABLANDADOR DE AGUA DE SAL REGENERANTE O A UN SUMINISTRO DE AGUA SALADA.

PARA USO EN UN CIRCUITO DE RAMA INDIVIDUAL SOLAMENTE

PRECAUCIÓN: CONECTAR SOLO A UN CIRCUITO PROTEGIDO POR UN INTERRUPTOR DIFERENCIAL CLASE A USE SÓLO CONDUCTORES DE COBRE

USE EL CONDUCTOR DE UNIÓN ADECUADO SEGÚN EL CÓDIGO ELÉCTRICO CANADIENSE, PARTE I



Este aparato debe estar alimentado por un sistema conectado a tierra. Se proporciona un terminal verde (o un conector de cable marcado "G", "GR", "GROUND" O "GROUNDING") para el cableado del aparato. Para reducir el riesgo de descarga eléctrica, conecte este terminal o conector al terminal de conexión a tierra del servicio eléctrico o al panel de suministro a través de un cable de cobre continuo que cumpla con lo estipulado en el código de instalación eléctrica.



Pérdidas materiales

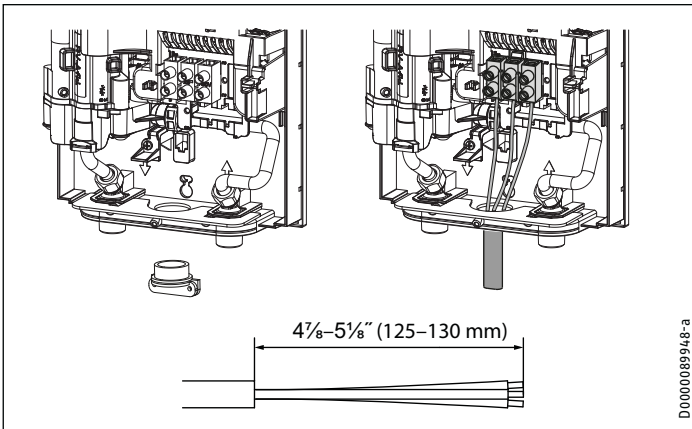
Respete la placa de identificación. El voltaje nominal especificado debe coincidir con el voltaje de la línea de suministro.



Pérdidas materiales

El DHC 3/3.5-1 Trend solo debe conectarse a un suministro eléctrico de 120 V. Si se conecta el DHC 3/3.5-1 Trend a un suministro eléctrico de 208-240 V, se producirá un daño permanente a la unidad que anula la garantía de fábrica.

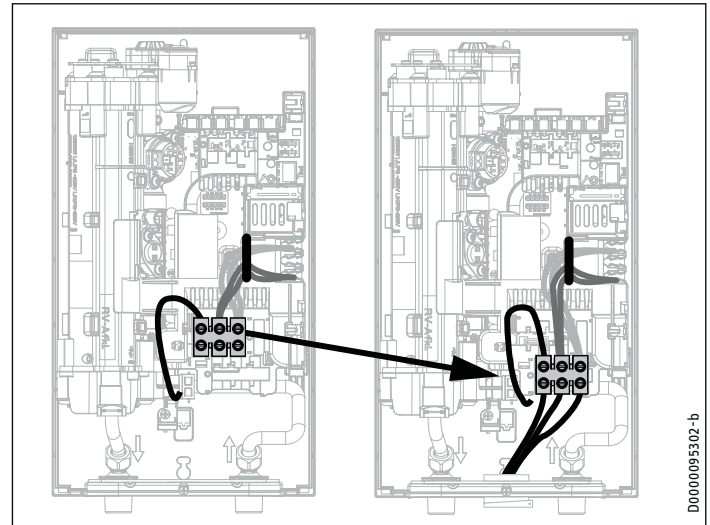
- ▶ Todo trabajo eléctrico debe cumplir con las disposiciones del Colegio de Peritos Electricistas y Códigos Nacionales y/o Locales.
- ▶ La unidad DHC Trend debe tener su circuito independiente utilizando tres alambres de cobre de tamaño apropiado y protegido por un interruptor termomagnético (breaker) correctamente seleccionado. Para instalar varias unidades DHC Trend se requiere un circuito independiente para cada una. Consulte la sección 17.5, "Tablas de datos", pág. 39.
- ▶ Se debe instalar una abrazadera 3/4 pulg. Romex (requerida, no suministrada) en la abertura ubicada entre las conexiones de agua fría y caliente. Los cables deben alimentarse a través de la abrazadera Romex, que también proporcionará un alivio de tensión adecuado. Los cables "activos" deben conectarse a las ranuras del bloque de terminales marcadas con N y L (DHC 3/3.5-1 Trend solamente) o L y L (todas las demás versiones). El cable de tierra debe estar conectado a la ranura marcada con el símbolo de tierra. Consulte la sección 17.1, "Diagramas de cableado", pág. 37.



10.5 Conexión eléctrica con un cable de alimentación corto

Si el cable de alimentación no es lo suficientemente largo, el bloque de cables puede instalarse más cerca de la abertura del calentador de agua.

- ▶ Reposiciona el bloque de cableado de arriba a abajo. Para ello, desengánchelo empujándolo firmemente hacia la izquierda y tirando de él hacia adelante.



- ▶ Reposiciona el bloque de cableado de arriba a abajo. Para ello, desengánchelo empujándolo firmemente hacia la izquierda y tirando de él hacia adelante. Enganche el bloque de cableado en la parte inferior empujándolo hacia dentro y hacia la izquierda hasta que encaje en su sitio.

10.6 Bloque de cableado

Consulte el siguiente diagrama para ver el nivel recomendado de torsión en los tornillos del bloque de terminales.

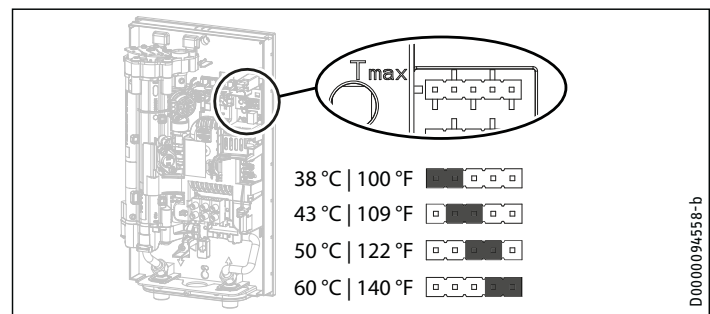
Tamaño de Los tornillos (mm)	Torsión (N•cm)	Torsión (Lbf•in)
M6	200-250	17.7-22.1

Usar las especificaciones de torsión adecuadas para fijar el cable al bloque de cableado ayuda a evitar pérdidas personales o daños a la propiedad.

11. Puesta en marcha

11.1 Ajuste de temperatura a través de la ranura del puente

La temperatura máxima de salida de cada posición de los puentes durante el funcionamiento normal de la carga depende del voltaje de funcionamiento, la velocidad de flujo y la temperatura del agua entrante. Consulte las tablas que aparecen a continuación para conocer la temperatura máxima de salida a los voltajes de funcionamiento nominales de 240 V y 208 V.



Posición del puente (240 V)	Descripción
38 °C 100 °F @ 240 V	Aplicaciones de lavado de manos conformes con el código (configuración de fábrica)
43 °C 109 °F @ 240 V	Aplicaciones en las que el riesgo de quemaduras puede ser una preocupación
50 °C 122 °F @ 240 V	ACS para el fregadero de la cocina, fregadero de servicio, etc.
60 °C 140 °F @ 240 V	Aplicaciones comerciales (cocinas, etc.), requisitos del código de salud
Sin puente	Límite 38 °C 100 °F

Posición del puente (208 V)*	Descripción
32 °C 90 °F @ 208 V	Agua tibia para lavarse las manos (configuración de fábrica)
36 °C 97 °F @ 208 V	Aplicaciones de lavado de manos conformes al código
41 °C 106 °F @ 208 V	Agua caliente para lavarse las manos
49 °C 120 °F @ 208 V	ACS para el fregadero de la cocina, fregadero de servicio, etc.
Sin puente	Límite 32 °C 90 °F

*Todas las temperaturas de salida listadas asumen una entrada de agua temperatura de 15 °C | 59 °F

- Instale el puente en la posición requerida en el alojamiento de cables y cabecera "T_{max}".



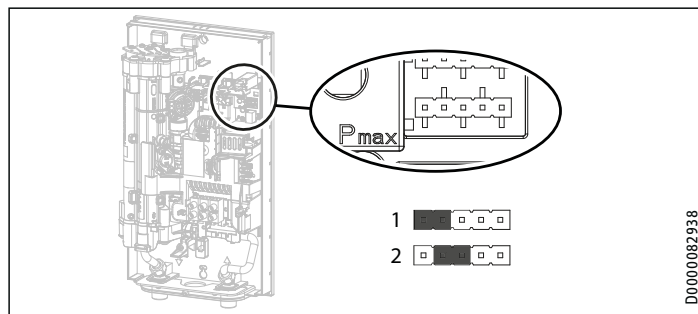
PRECAUCIÓN Quemaduras

Si el agua suministrada al aparato se precalienta, puede superarse el límite interno de protección contra el escaleamiento.

En tales casos, limite la temperatura con una válvula termostática central aguas arriba.

11.2 Cambiar la salida de potencia a través de la ranura del puente

Si selecciona un valor distinto de la configuración predeterminada de fábrica, deberá volver a colocar el puente. El valor predeterminado de fábrica es la posición 2, "alto".



- Instale el puente en la posición requerida del alojamiento de cables y cabecera "P_{max}".

Posición del puente		Salida de potencia	
		DHC 3/3.5-1 Trend	DHC 4/6-2 Trend
1 [bajo]	@ 120 V	3.0 kW	-
	@ 208 V	-	2.9 kW
	@ 240 V	-	3.8 kW
2 [alto]	@ 120 V	3.5 kW	-
	predeterminado @ 208 V	-	4.5 kW
	de fábrica @ 240 V	-	6.0 kW
Sin puente [bajo]	@ 120 V	3.0 kW	-
	@ 208 V	-	2.9 kW
	@ 240 V	-	3.8 kW

Posición del puente		Salida de potencia	
		DHC 8/10-2 Trend	DHC 12/15-2 Trend
1 [bajo]	@ 208 V	5.4 kW	9.0 kW
	@ 240 V	7.2 kW	12.0 kW
	2 [alto]	@ 208 V	7.2 kW
predeterminado de fábrica @ 240 V	9.6 kW	14.4 kW	
Sin puente [bajo]	@ 208 V	5.4 kW	9.0 kW
	@ 240 V	7.2 kW	12.0 kW

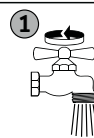
- Marque la potencia de salida seleccionada en la placa de identificación con un bolígrafo.

11.3 Puesta en marcha inicial



Nota

Durante la puesta en marcha inicial, DEBE activar el interruptor de seguridad AE3 presionando el botón de reinicio blanco antes de suministrar energía al calentador de agua. La unidad NO funcionará hasta que el interruptor de seguridad no esté activado.



Abra el grifo ≥ 3 min.

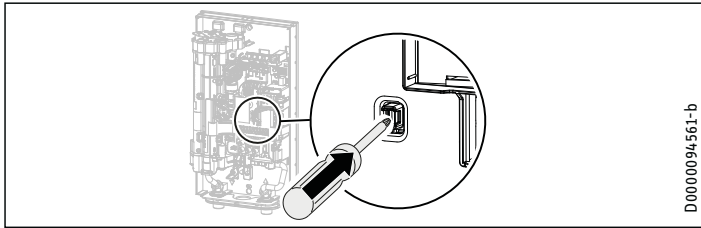


Encienda la fuente de alimentación.

D0000053277

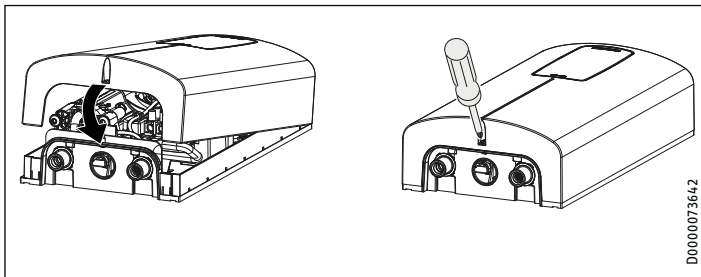
- Abra y cierre todas las válvulas de salida conectadas al menos cinco veces en total. Deje correr el agua durante al menos tres minutos, hasta que se haya purgado todo el aire de la tubería y el calentador de agua.
- Asegúrese de que no haya fugas de agua en ninguna conexión de las tuberías.

11.3.1 Activación inicial del interruptor de seguridad AE3



D0000094561-b

- ▶ Active el interruptor de seguridad AE3 presionando firmemente el botón blanco de reinicio hasta que haga **clic** y **se bloquee** completamente en su lugar (el calentador de agua se entrega con el interruptor de seguridad desactivado).



D0000073642

- ▶ Enganche la cubierta en la parte superior de la tapa trasera del calentador de agua. Empuje la tapa hacia abajo. Verifique que la cubierta esté bien asentada en las partes superior e inferior.
- ▶ Asegure la cubierta con el tornillo.
- ▶ Retire la película protectora del panel frontal.



Encienda la fuente de alimentación.

D0000053281

- ▶ Encienda la fuente de alimentación.

11.3.2 Entrega del calentador de agua

- ▶ Explique el funcionamiento del calentador de agua a los usuarios y permítales familiarizarse con su funcionamiento.
- ▶ Informe a los usuarios sobre los peligros potenciales, especialmente el riesgo de quemaduras.
- ▶ Entregue las instrucciones.

11.4 Operación con agua precalentada

La temperatura máxima de entrada puede limitarse instalando una válvula termostática central. Utilice la válvula termostática para la premezcla central, por ejemplo, cuando se utiliza un calentador de agua sin tanque con agua precalentada.

11.5 Reinicio



Pérdidas materiales

Para garantizar que el sistema de calentamiento en espiral no se dañe después de una interrupción en el suministro de agua, el calentador de agua debe reiniciarse siguiendo los siguientes pasos:

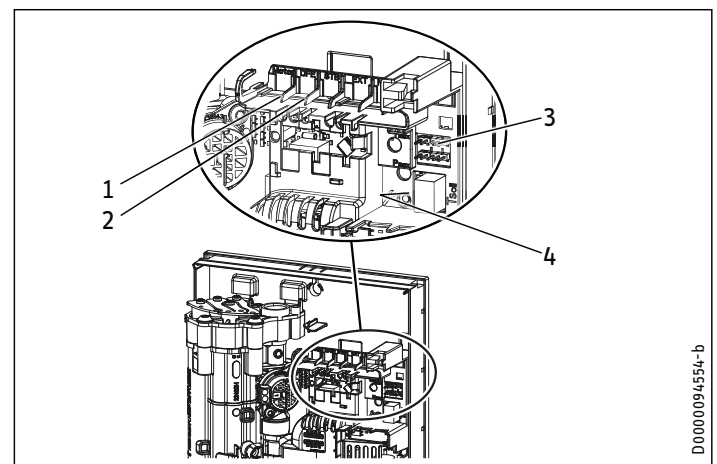
- ▶ Apague la alimentación de la unidad desde el panel de interruptores, asegurándose de que los interruptores de circuito conectados estén en la posición "OFF" para evitar cualquier peligro de descarga eléctrica.
- ▶ Abra y cierre el grifo al menos cinco veces durante tres minutos en total, hasta que el calentador de agua y su línea de entrada de agua fría estén libres de aire.
- ▶ Vuelva a conectar la alimentación en el panel de interruptores.

12. Apagado del calentador de agua

- ▶ Apague la alimentación de la unidad desde el panel de interruptores, asegurándose de que los interruptores de circuito conectados estén en la posición "OFF" para evitar cualquier peligro de descarga eléctrica.
- ▶ Drene el calentador de agua (Consulte la sección 14.1, "Drenaje del calentador de agua", pág. 35").

13. Información para servicio técnico

Estado de conexiones/Estado de componentes



D0000094554-b

- 1 Sensor de flujo
- 2 Corte de seguridad por exceso del límite de temperatura, reinicio automático, Klixon
- 3 Alojamiento de cables y cabecera para carga conectada y ajuste de temperatura
- 4 Luces de diagnóstico

14. Mantenimiento



ADVERTENCIA Electrocuación
Antes de realizar cualquier trabajo en el aparato, desconecte todos los polos de la fuente de alimentación.

14.1 Drenaje del calentador de agua

El calentador de agua se puede drenar para realizar trabajos de mantenimiento.



ADVERTENCIA Quemaduras
Al drenar el calentador de agua, es posible que se escape agua caliente.

- ▶ Cierre la válvula de la línea de entrada de agua fría.
- ▶ Abra todas las válvulas de salida.
- ▶ Desconecte las conexiones de agua del calentador de agua.
- ▶ Guarde el calentador de agua desmontado en un lugar donde no haya riesgo de escarcha, ya que los residuos de agua que quedan dentro del calentador de agua pueden congelarse y causar daños.

14.2 Limpieza de la malla del filtro



ADVERTENCIA Quemaduras
Al drenar el calentador de agua, es posible que se escape agua caliente.



Pérdidas materiales

Para garantizar que el sistema de calentamiento en espiral no se dañe después de una interrupción en el suministro de agua, el calentador de agua debe reiniciarse siguiendo los siguientes pasos:

- ▶ Apague la alimentación de la unidad desde el panel de interruptores, asegurándose de que los interruptores de circuito conectados estén en la posición "OFF" para evitar cualquier peligro de descarga eléctrica.
- ▶ Abra y cierre el grifo al menos cinco veces durante tres minutos en total, hasta que el calentador de agua y su línea de entrada de agua fría estén libres de aire.
- ▶ Vuelva a conectar la alimentación en el panel de interruptores.

El DHC Trend tiene una malla de filtro de sedimentos incorporada que debe limpiarse periódicamente.

- ▶ Apague el interruptor para desconectar la alimentación del calentador de agua.
- ▶ Cierre la válvula de cierre para cortar el suministro de agua al calentador de agua.
- ▶ Abra un grifo de agua caliente conectado para reducir la presión acumulada (esto minimizará las fugas al retirar la conexión de la entrada de agua fría).
- ▶ Desconecte el conector flexible de acero trenzado del accesorio de entrada de agua fría (derecha).

- ▶ Para quitar la malla de filtro de la parte inferior de la entrada de agua fría, inserte con cuidado un destornillador de cabeza plana justo por encima del borde de plástico de la malla de filtro y tire suavemente hacia abajo.
- ▶ Limpie la malla de filtro, vuelva a insertarla de manera segura en el accesorio de entrada de agua fría y vuelva a conectar el conector flexible de acero trenzado a la entrada de agua fría.
- ▶ Abra la válvula de cierre del suministro de agua fría.
- ▶ Abra el grifo de agua caliente durante unos minutos para sacar el aire de las tuberías y el calentador de agua. Mantenga el grifo abierto hasta que el flujo de agua sea continuo y se haya purgado todo el aire de las tuberías de agua.
- ▶ Encienda el interruptor para llevar energía eléctrica a la unidad.

15. Resolución de problemas



ADVERTENCIA Electrocutación

Nunca quite o reinstale la cubierta del calentador de agua sin cortar la electricidad que da servicio a la unidad. De lo contrario, podría sufrir lesiones personales o la muerte.



ADVERTENCIA Electrocutación

Para probar el calentador de agua con las luces de diagnóstico internas, este debe estar conectado a la fuente de alimentación.

Si realiza la prueba sin la cubierta, no toque ninguna parte del calentador de agua. Hacerlo podría provocar lesiones personales graves o la muerte.



Nota

Para probar el calentador de agua con las luces de diagnóstico, el agua debe estar fluyendo a través de la unidad.

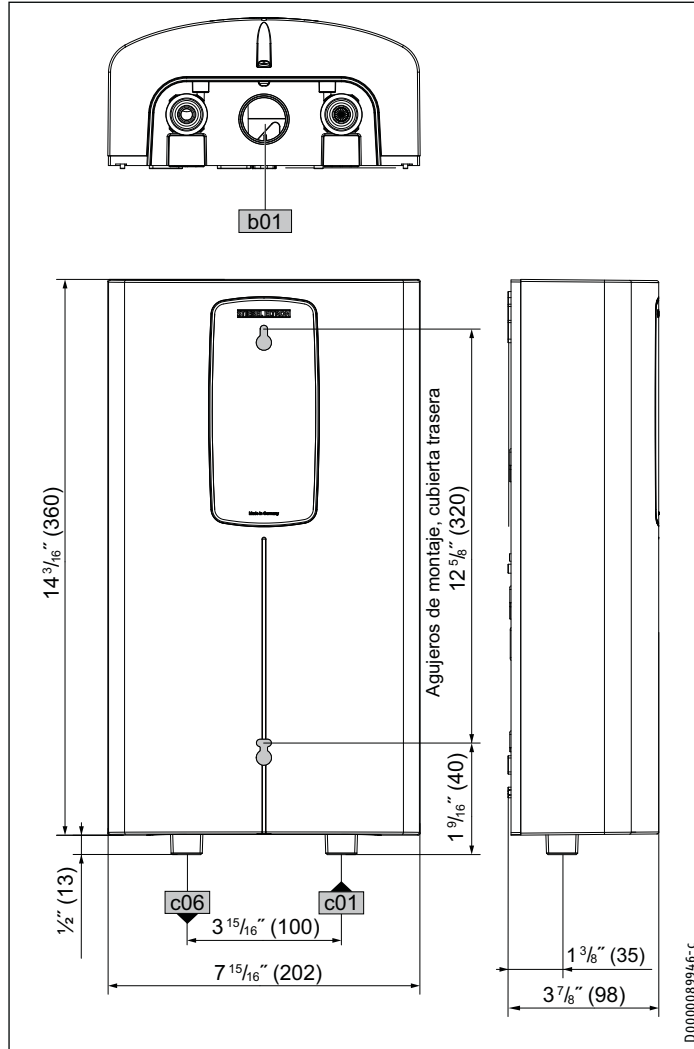
Luces de diagnóstico

●○○	Roja	Se ilumina en caso de falla
○○●	Amarilla	Se ilumina en modo calentamiento./Parpadea cuando se alcanza el límite de salida
○○○	Verde	Parpadea cuando el calentador de agua está conectado a la fuente de alimentación.

Luces de diagnóstico	Problema	Causa	Solución
Ninguna LED encendida	El calentador de agua no calienta	No hay electricidad	Verifique el disyuntor conectado en el panel del disyuntor principal no se haya disparado. Restablecer si es necesario
Verde intermitente, amarilla apagada, roja apagada	No hay ACS	La PCI no funciona correctamente	Reemplace el módulo de funciones
		La regadera/El aireador tiene incrustaciones	Desincruste o reemplace la regadera/el aireador si es necesario
		La malla de filtro de la entrada de agua fría está sucia	Limpie la malla de filtro. Consulte la sección 14.2, "Limpieza de la malla del filtro", pág. 35
		El sensor de flujo no está conectado	Conecte el cable a la PCI
Verde intermitente, amarilla encendida, roja apagada	La temperatura de salida no coincide con el valor establecido	El sensor de flujo no funciona correctamente	Reemplace el módulo de funciones
		La PCI no funciona correctamente	Reemplace el módulo de funciones
		El dispositivo está conectado a una fuente de alimentación <240 V	Por favor observe la información en la sección 11.1, "Ajuste de temperatura a través de la ranura del puente", pág. 32
		El grifo no funciona correctamente	Reemplace el grifo
Verde intermitente, amarilla apagada, roja encendida	No hay ACS	El sistema de calentamiento no funciona correctamente	Reemplace el módulo de funciones
		La PCI no funciona correctamente	Reemplace el módulo de funciones
		Se detectó la presencia de aire	Continúe con la extracción durante > 1 minuto
		El interruptor de seguridad AE3 no fue activado durante la puesta en marcha	Active el interruptor de seguridad AE3 presionando firmemente el botón de reinicio. Consulte la sección 11.3.1, "Activación inicial del interruptor de seguridad AE3", pág. 34
		El interruptor de seguridad AE3 se disparó por corte de seguridad por exceso del límite de temperatura	Verifique el corte de seguridad por exceso del límite de temperatura (conexión de enchufe, cable de conexión); active el interruptor de seguridad AE3.
Verde intermitente, amarilla apagada, roja encendida	No hay ACS	El interruptor de seguridad AE3 responde de nuevo después de comprobar la Klixon de corte de seguridad de alto límite; corte de seguridad de alto límite no funciona correctamente	Reemplace el corte de seguridad por exceso del límite de temperatura; active el interruptor de seguridad AE3 y extraiga el agua al valor máximo establecido durante > 1 minuto
		El interruptor de seguridad se dispara nuevamente; la PCI no funciona correctamente	Reemplace el módulo de funciones
		La PCI no funciona correctamente (rotura de cable o cortocircuito en el sensor de entrada)	Reemplace el módulo de funciones

16. Especificaciones

17. Dimensiones y conexiones



DHC Trend		
b02	Cables eléctricos de entrada	
c01	Entrada de agua fría	Rosca macho NPT de 1/2 pulg.
c06	Salida del ACS	Rosca macho NPT de 1/2 pulg.

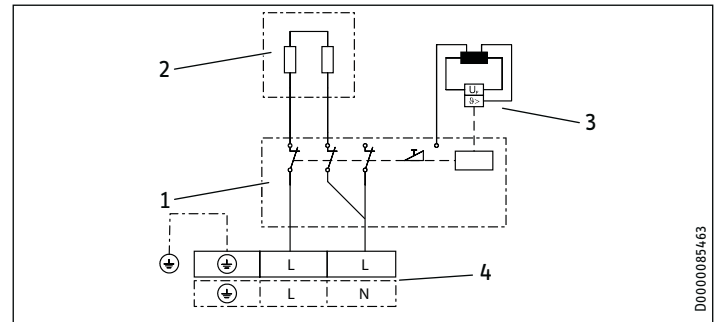
17.1 Diagramas de cableado

DHC 3/3.5-1 Trend

1/Neutro/Tierra (GND) ~ 120 V

DHC 4/6-2 Trend

2/Tierra (GND) ~ 208 / 240 V

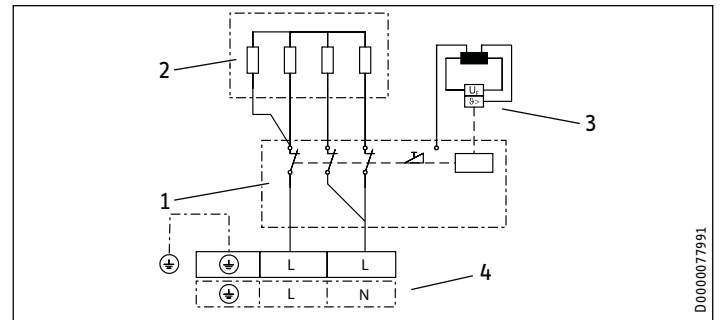


- 1 PCI de potencia con interruptor de seguridad integral
- 2 Sistema de calentamiento en espiral
- 3 Corte de seguridad por exceso del límite de temperatura
- 4 Bloque de cableado

DHC 8/10-2 Trend | DHC 12/15-2 Trend

2/Tierra (GND) ~ 208 / 240 V

1/Neutro/Tierra (GND) ~ 208 / 240 V



- 1 PCI de potencia con interruptor de seguridad integral
- 2 Sistema de calentamiento en espiral
- 3 Corte de seguridad por exceso del límite de temperatura
- 4 Bloque de cableado

17.2 Salida del ACS

La salida del ACS depende de la fuente de alimentación conectada, la salida de potencia seleccionada del calentador de agua y la temperatura de entrada del agua fría. El voltaje nominal y la salida nominal se pueden encontrar en la placa de identificación.

Modelo	Potencia de salida en kW			Salida del ACS a 100 °F en gpm			
	Tensión nominal			Temperatura de entrada de agua fría			
	120 V	208 V	240 V	41 °F	50 °F	59 °F	68 °F
DHC 3/3.5-1	3.0			0.35	0.41	0.5	0.64
Trend	3.5			0.41	0.48	0.58	0.75
DHC 4/6-2	2.9			0.34	0.4	0.48	0.62
Trend	4.5			0.52	0.61	0.75	0.96
			3.8	0.44	0.52	0.63	0.81
			6.0	0.69	0.82	1.0	1.28
DHC 8/10-2	5.4			0.63	0.74	0.9	1.15
Trend	7.2			0.83	0.98	1.2	1.54
			7.2	0.83	0.98	1.2	1.54
			9.6	1.11	1.31	1.6	2.05
DHC 12/15-2	9.0			1.04	1.23	1.5	1.92
Trend	10.8			1.24	1.46	1.78	2.28
			12.0	1.39	1.64	2.0	2.56
			14.4	1.67	1.97	2.4	3.07

Modelo	Potencia de salida en kW			Salida del ACS a 122 °F en gpm			
	Tensión nominal			Temperatura de entrada de agua fría			
	120 V	208 V	240 V	41 °F	50 °F	59 °F	68 °F
DHC 3/3.5-1	3.0			-	0.28	0.33	0.38
Trend	3.5			0.3	0.33	0.38	0.44
DHC 4/6-2	2.9			-	0.28	0.31	0.37
Trend	4.5			0.38	0.43	0.49	0.57
			3.8	0.32	0.36	0.41	0.48
			6.0	0.51	0.57	0.65	0.76
DHC 8/10-2	5.4			0.46	0.51	0.59	0.68
Trend	7.2			0.61	0.68	0.78	0.91
			7.2	0.61	0.68	0.78	0.91
			9.6	0.81	0.91	1.04	1.21
DHC 12/15-2	9.0			0.76	0.85	0.98	1.14
Trend	10.8			0.9	1.02	1.16	1.35
			12.0	1.01	1.14	1.3	1.52
			14.4	1.21	1.37	1.56	1.82

Modelo	Potencia de salida en kW			Salida del ACS a 38 °C en L/min			
	Tensión nominal			Temperatura de entrada de agua fría			
	120 V	208 V	240 V	5 °C	10 °C	15 °C	20 °C
DHC 3/3.5-1	3.0			1.3	1.5	1.9	2.4
Trend	3.5			1.5	1.8	2.2	2.8
DHC 4/6-2	2.9			1.3	1.5	1.8	2.3
Trend	4.5			1.9	2.3	2.8	3.6
			3.8	1.7	2.0	2.4	3.0
			6.0	2.6	3.1	3.7	4.8
DHC 8/10-2	5.4			2.3	2.8	3.4	4.3
Trend	7.2			3.1	3.7	4.5	5.7
			7.2	3.1	3.7	4.5	5.7
			9.6	4.2	4.9	6.0	7.6
DHC 12/15-2	9.0			3.9	4.6	5.6	7.1
Trend	10.8			4.6	5.5	6.6	8.5
			12.0	5.2	6.1	7.5	9.5
			14.4	6.2	7.3	8.9	11.4

Modelo	Potencia de salida en kW			Salida del ACS a 50 °C en L/min			
	Tensión nominal			Temperatura de entrada de agua fría			
	120 V	208 V	240 V	5 °C	10 °C	15 °C	20 °C
DHC 3/3.5-1	3.0			1.0	1.1	1.2	1.4
Trend	3.5			1.1	1.3	1.4	1.7
DHC 4/6-2	2.9			-	1.1	1.2	1.4
Trend	4.5			1.4	1.6	1.8	2.1
			3.8	1.2	1.4	1.6	1.8
			6.0	1.9	2.1	2.4	2.9
DHC 8/10-2	5.4			1.7	1.9	2.2	2.6
Trend	7.2			2.3	2.6	2.9	3.4
			7.2	2.3	2.6	2.9	3.4
			9.6	3.0	3.4	3.9	4.6
DHC 12/15-2	9.0			2.9	3.2	3.7	4.3
Trend	10.8			3.4	3.8	4.4	5.1
			12.0	3.8	4.3	4.9	5.7
			14.4	4.6	5.1	5.9	6.9

17.3 Áreas de aplicación/tabla de conversión

Aquí se muestran los datos de resistividad y conductividad eléctrica.

Especificación estándar a 15 °C		20 °C			25 °C		
Resistividad mín.	Conductividad máx. $\sigma \leq$	Resistividad mín. $\rho \geq$	Conductividad máx. $\sigma \leq$	Resistividad mín. $\rho \geq$	Conductividad máx. $\sigma \leq$	Resistividad mín. $\rho \geq$	Conductividad máx. $\sigma \leq$
Ωcm	mS/m	$\mu\text{S/cm}$	Ωcm	mS/m	$\mu\text{S/cm}$	Ωcm	mS/m
1100	91	910	970	103	1031	895	112
							1117

Caída de presión, cómo calcular el tamaño de la tubería

Para calcular el tamaño de la tubería, se recomienda una caída de presión al calentador de agua de 14.5 psi (0.1 MPa).

17.4 Condiciones de falla

En caso de falla, durante la instalación pueden ocurrir brevemente temperaturas de hasta 176 °F (80 °C) a una presión de 145 psi (1.0 MPa).

INSTALACIÓN

Dimensiones y conexiones

17.5 Tablas de datos

	DHC 3/3.5-1 Trend	DHC 4/6-2 Trend	
Número de artículo	200060	200062	
Datos eléctricos			
Fase (50/60 Hz)	1/N/GND	1/N/GND 2/GND	
Tensión nominal	120 V	240 V	208 V
Salida nominal ¹ , posición de puente 1 [baja] / 2 [alta]	3.0 kW / 3.5 kW	3.8 kW / 6.0 kW	2.9 kW / 4.5 kW
Corriente nominal, posición de puente 1 [baja] / 2 [alta]	25 A / 29.2 A	15.8 A / 25 A	13.9 A / 21.7 A
Tamaño de disyuntor recomendado ² , posición de puente 1 [baja] / 2 [alto]	25 A / 30 A	20 A / 25 A	15 A / 25 A
Tamaño mín. de cable recomendado ³ (cobre AWG), posición de puente 1 [baja] / 2 [alta]	10/2 AWG / 10/2 AWG	12/2 AWG / 10/2 AWG	14/2 AWG / 10/2 AWG
Mín. resistividad $\rho_{15} \geq$	1100 Ω cm		
Máx. conductividad $\sigma_{15} \leq$	910 μ S/cm		
Conexiones			
Conexiones de agua	NPT de 1/2 pulg.		
Límites de aplicación			
Presión máx. permisible	145 psi (1 MPa)		
Temperatura máx. de entrada para recalentar	131 °F (55 °C)		
Temperatura máx. de entrada	149 °F (65 °C)		
Valores de ajuste de temperatura a 240 V	100/109/122/140 °F (38/43/50/60 °C)		
Datos hidráulicos			
Tasa de activación	0.264 gal (1.0 l/min)		
Capacidad nominal	0.07 gal (0.277 l)		
Versiones			
Tipo de instalación	Sobre el fregadero / bajo el fregadero		
Clase de protección	1		
Bloque aislante	Poliamida reforzada con vidrio		
Sistema de calentamiento	Calentamiento en espiral		
Cubierta y cubierta trasera	Plástico		
Color	Blanco		
Dimensiones			
Altura	14 ¹ / ₈ " (360 mm)		
Ancho	8" (202 mm)		
Profundidad	3 ⁷ / ₈ " (98 mm)		
Pesos			
Peso	5.5 lbs (2.5 kg)		

El DHC 3/3.5-1 Trend se suministra con un reductor/aerador de flujo compensador de presión de 0.5 gpm (1.9 l/min) que debe ser instalado.

El DHC 4/6-2 Trend se suministra con 2 x 0.5 gpm (1.9 l/min) y un reductor/aerador de flujo compensatorio de presión de 1.0 gpm (3.8 l/min) que debe ser instalado. Consulte la sección 10.3, "Instalación del aireador en el grifo conectado", pág. 31 para más información.

¹ La configuración predeterminada de fábrica es la posición del puente 2 [alta]

² Protección contra sobrecargas dimensionada al 100% de la carga. Los calentadores de agua sin tanque se consideran una carga no continua. Utilice solo disyuntores para tomas GFCI Clase A.

³ Se deben utilizar conductores de cobre con una temperatura nominal de 75 °C o superior. Los conductores deben dimensionarse para mantener una caída de voltaje de menos del 3 % bajo carga.

Estas son nuestras recomendaciones. Verifique los códigos locales si es necesario.

INSTALACIÓN

Dimensiones y conexiones

	DHC 8/10-2 Trend		DHC 12/15-2 Trend	
Número de artículo	200063		200064	
Datos eléctricos				
Fase (50/60 Hz)	1/N/GND 2/GND			
Tensión nominal	240 V	208 V	240 V	208 V
Salida nominal ¹ , posición de puente 1 [baja] / 2 [alta]	7.2 kW / 9.6 kW	5.4 kW / 7.2 kW	12.0 kW / 14.4 kW	9.0 kW / 10.8 kW
Corriente nominal, posición de puente 1 [baja] / 2 [alta]	30 A / 40 A	26 A / 34.6 A	50 A / 60 A	43.3 A / 52 A
Tamaño de disyuntor recomendado ² , posición de puente 1 [baja] / 2 [alto]	30 A / 40 A	30 A / 35 A	50 A / 60 A	50 A / 60 A
Tamaño mín. de cable recomendado ³ (cobre AWG), posición de puente 1 [baja] / 2 [alta]	10/2 AWG / 8/2 AWG	10/2 AWG / 8/2 AWG	8/2 AWG / 6/2 AWG	8/2 AWG / 6/2 AWG
Mín. resistividad $\rho_{15} \geq$	1100 Ω cm			
Máx. conductividad $\sigma_{15} \leq$	910 μ S/cm			
Conexiones				
Conexiones de agua	NPT de 1/2 pulg.			
Límites de aplicación				
Presión máx. permisible	145 psi (1 MPa)			
Temperatura máx. de entrada para recalentar	131 °F (55 °C)			
Temperatura máx. de entrada	149 °F (65 °C)			
Valores de ajuste de temperatura a 240 V	100/109/122/140 °F (38/43/50/60 °C)			
Datos hidráulicos				
Tasa de activación	0.264 gal (1.0 l/min)			
Capacidad nominal	0.07 gal (0.277 l)			
Versiones				
Tipo de instalación	Sobre el fregadero / bajo el fregadero			
Clase de protección	1			
Bloque aislante	Poliamida reforzada con vidrio			
Sistema de calentamiento	Calentamiento en espiral			
Cubierta y cubierta trasera	Plástico			
Color	Blanco			
Dimensiones				
Altura	14 1/8" (360 mm)			
Ancho	8" (202 mm)			
Profundidad	3 7/8" (98 mm)			
Pesos				
Peso	5.5 lbs (2.5 kg)			

¹ La configuración predeterminada de fábrica es la posición del puente 2 [alta]

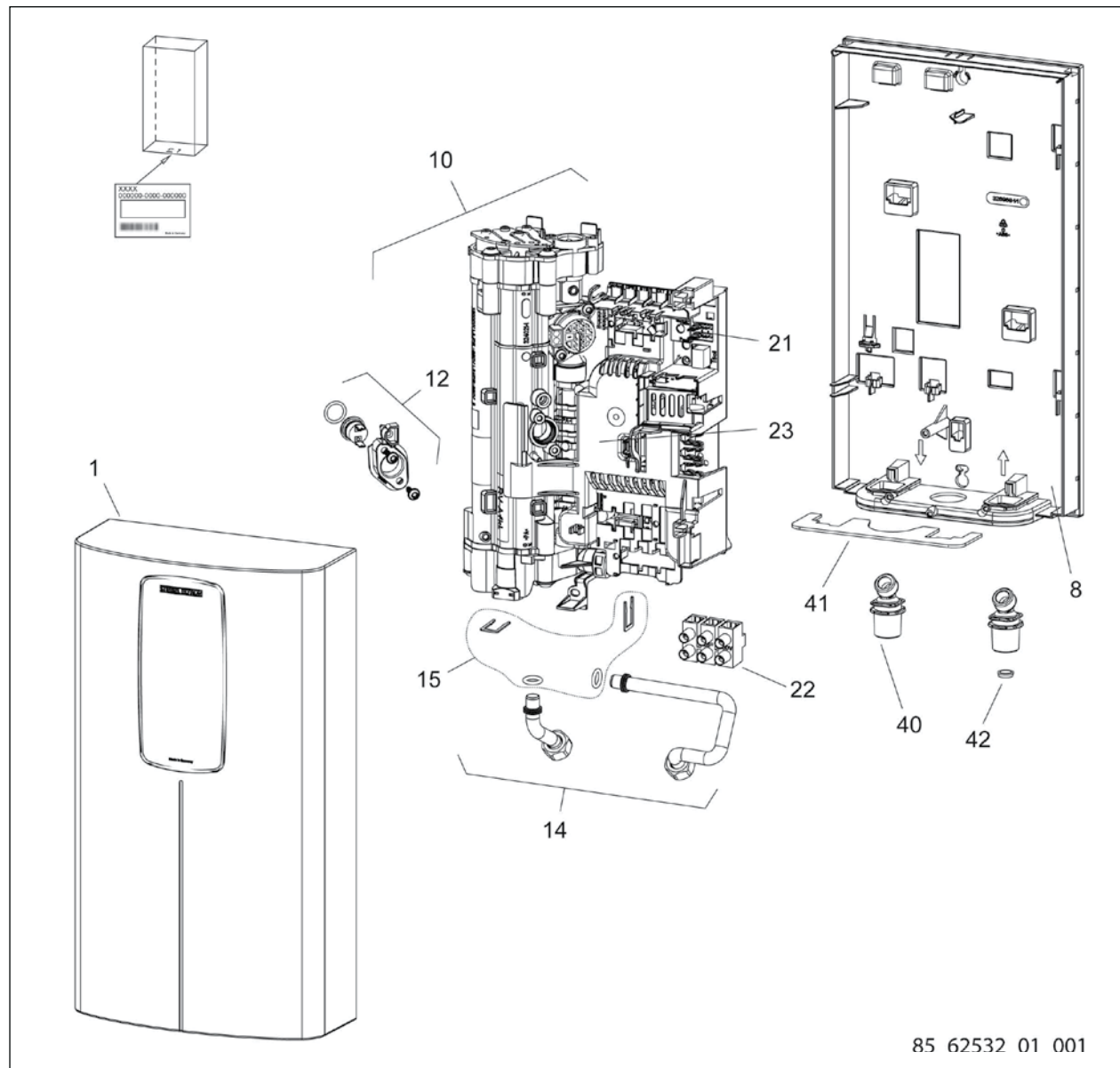
² Protección contra sobrecargas dimensionada al 100% de la carga. Los calentadores de agua sin tanque se consideran una carga no continua. Utilice solo disyuntores para tomas GFCI Clase A.

³ Se deben utilizar conductores de cobre con una temperatura nominal de 75 °C o superior. Los conductores deben dimensionarse para mantener una caída de voltaje de menos del 3% bajo carga.

Estas son nuestras recomendaciones. Verifique los códigos locales si es necesario.

18. Repuestos

No.	Repuesto	DHC 3/3.5-1 Trend	DHC 4/6-2 Trend	DHC 8/10-2 Trend	DHC 12/15-2 Trend
1	Cubierta (frente)	348147	348147	348147	348147
8	Cubierta (atrás)	348143	348143	348143	348143
10	Módulo de funciones	348150	348151	348152	348153
12	Corte de seguridad de alto límite con autorreajuste, Klixon	340529	340529	340529	340529
14	Conjunto de codo de tubo	340542	340542	340542	340542
15	Juego de conexión de codo de tubería (incluye clips y juntas)	320540	320540	320540	320540
21	Puente (rojo)	283455	283455	283455	283455
22	Bloque de cableado	326655	326655	326655	326655
23	Cubierta de electrónica	344146	344146	344146	344146
40	Conexiones de tubería (x2) - 1/2 pulg. NPT / G ^{3/8} pulg.	326589	326589	326589	326589
41	Hoja de bloqueo	326234	326234	326234	326234
42	Malla de filtro	275981	275981	275981	275981



19. Garantía

Sujeto a los términos y condiciones expresados en esta Garantía Limitada de por vida, Stiebel Eltron, Inc. (el "Fabricante") por la presente asegura al comprador original (el "Propietario") que cada calentador de agua eléctrico de calor sin tanque (el "Calentador") no deberá (i) tener fugas debido a defectos en los materiales del fabricante o mano de obra por un período de diez (10) años desde la fecha de compra o (ii) falla debido a defectos en los materiales o mano de obra del fabricante por un período de tres (3) años a partir de la fecha de compra. Como única y exclusiva solución para el Propietario en cuanto a la presente garantía, el Fabricante, a discreción del Fabricante, reparará en fábrica o reemplazará el Calentador defectuoso con una unidad o repuesto de reemplazo con características de funcionamiento comparables. La máxima responsabilidad del Fabricante en cualquier circunstancia se limitará al precio de compra del Calentador que pagó el Propietario.

Esta garantía limitada será la garantía exclusiva que el Fabricante otorga, y reemplaza todas las demás garantías, expresas o implícitas, escritas u orales, que incluyen pero no se limitan a las garantías de comerciabilidad o adecuación para un fin determinado. El Fabricante no será responsable de daños incidentales, indirectos o contingentes o gastos que surjan, de manera directa o indirecta, de cualquier defecto del Calentador o del uso del mismo. El Fabricante no será responsable por daños ocasionados por el agua o cualquier otro daño a la propiedad del Propietario que surja, de manera directa o indirecta, de cualquier defecto del Calentador o del uso del mismo. Solo el Fabricante está autorizado a conceder todas las garantías en representación del Fabricante, y ninguna declaración o garantía realizada por cualquier otra parte será vinculante para el Fabricante.

El Fabricante no será responsable de ningún daño relacionado o causado por:

1. cualquier uso indebido o falta de cuidado del Calentador, cualquier accidente que afecte al Calentador, cualquier alteración al Calentador, o cualquier otro uso incorrecto;
2. casos fortuitos o circunstancias sobre las cuales el Fabricante no tiene control;
3. instalación del Calentador que se desvíe de las directivas del Fabricante o no observe los códigos de

construcción pertinentes;

4. negligencia en cuanto a mantener el Calentador u operar el Calentador según las especificaciones del Fabricante;
5. hacer funcionar el Calentador en condiciones de presión de agua fluctuante o en caso de que el Calentador se alimente de agua no potable durante un período de cualquier duración;
6. instalación defectuosa y/o uso de materiales inapropiados por parte de cualquier instalador y que no se relacione con defectos en los repuestos o la mano de obra del Fabricante;
7. mover el Calentador de su lugar original de instalación;
8. exposición a condiciones de congelamiento;
9. los problemas de calidad del agua, como el agua corrosiva, el agua dura y agua contaminada con contaminantes o aditivos;

Si el Propietario desea devolver el Calentador al Fabricante para su reparación o reemplazo bajo esta garantía, el Propietario debe obtener primero la autorización por escrito del Fabricante. El Propietario deberá presentar una prueba de compra, incluida la fecha de compra, y será responsable de los costos de desinstalación y transporte. Si el Propietario no puede demostrar una fecha de compra, esta garantía se limitará al período que comienza a partir de la fecha de compra impresa en el Calentador. El Fabricante se reserva el derecho de negar la cobertura de esta garantía después de examinar el Calentador. Esta garantía se limita al Propietario y es intransferible.

Algunos Estados y Provincias no permiten la exclusión o limitación de ciertas Garantías. En dichos casos, las limitaciones aquí expresadas pueden no aplicarse al Propietario. En dichos casos esta Garantía se limitará al período más corto y las menores cifras de daños permitidas por ley. Esta Garantía le da derechos legales específicos y puede que usted tenga otros derechos que variarán de Estado a Estado y de Provincia a Provincia.

El Propietario será responsable de todos los costos de mano de obra y otros cargos incurridos al retirar o reparar el Calentador en el lugar de instalación. Por favor obsérvese que el Calentador debe instalarse de tal manera que, en caso de pérdida, el flujo de agua de la pérdida no dañe el lugar en que está instalado.

Medio ambiente y reciclaje

Por favor, ayúdenos a proteger el medio ambiente eliminando el embalaje de acuerdo con las regulaciones nacionales para el procesamiento de residuos.

Esta garantía es válida sólo para EE.UU. y Canadá. Las garantías pueden variar según el país. Por favor, consulte a su representante local de Stiebel Eltron para la garantía de su país.



La instalación, la conexión eléctrica y la primera operación de este aparato debe ser realizado por un calificado instalador.



La empresa no se hace responsable de los fallos de los bienes suministrados que no se hayan instalado y operado de acuerdo con las instrucciones del fabricante.

TABLE DES MATIÈRES

GUIDE DE DÉMARRAGE RAPIDE

INFORMATIONS SPÉCIALES

OPÉRATION

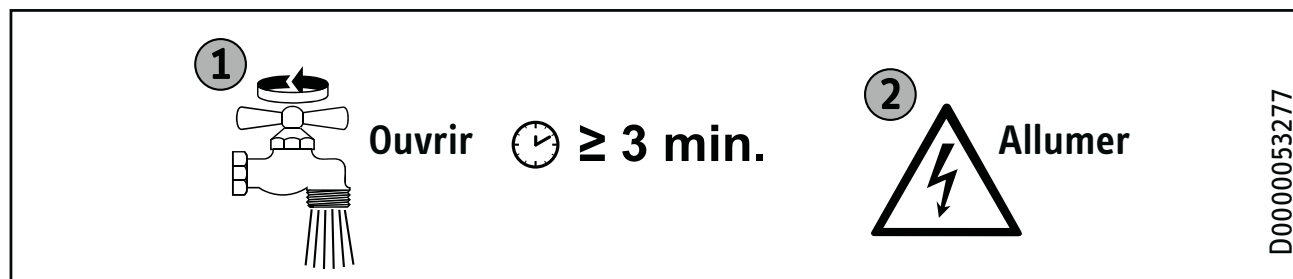
1. Informations générales	46
1.1 Instructions de sécurité	46
1.2 Autres symboles dans cette documentation	46
1.3 Unités de mesure	46
2. Sécurité	46
2.1 Utilisation prévue	46
2.2 Instructions générales de sécurité	47
2.3 Label de conformité	47
2.4 Homologation	47
3. Inscrivez votre produit	48
4. Description du chauffe-eau	48
4.1 Paramètres recommandés	48
5. Nettoyage, entretien et maintenance	48
6. Dépannage	49
7. Sécurité	49
7.1 Instructions générales de sécurité	49
7.2 Instructions, normes et règlements	49
8. Description du chauffe-eau	49
8.1 Livraison standard	49
9. Préparation	50
9.1 Site d'installation	50
9.2 Espace libre minimum	50
10. Installation	50
10.1 Installation murale standard	50
10.2 Raccordements à l'eau	51
10.3 Installation d'un aérateur au niveau du robinet raccordé	52
10.4 Connexion électrique	52
10.5 Connexion électrique avec un câble d'alimentation court	53
10.6 Bloc de câblage	53
11. Mise en service	53
11.1 Réglage de la température via la fente du cavalier	53
11.2 Changement de la puissance de sortie via la fente du cavalier	54
11.3 Démarrage initial	54
11.4 Fonctionnement avec de l'eau préchauffée	55
11.5 Remise en service	55
12. Arrêt du chauffe-eau	55
13. Informations sur les services	55
14. Maintenance	56
14.1 Vidange du chauffe-eau	56
14.2 Nettoyage de la grille de filtrage	56
15. Dépannage	57
16. Spécification	58
16.1 Dimensions	58
16.2 Schémas de câblage	58
16.3 Production d'eau chaude	59
16.4 Domaines d'application/tableau de conversion	59

16.5 Conditions de défaillance	59
16.6 Tableaux de données	60
17. Pièces de rechange	62
18. Garantie	63

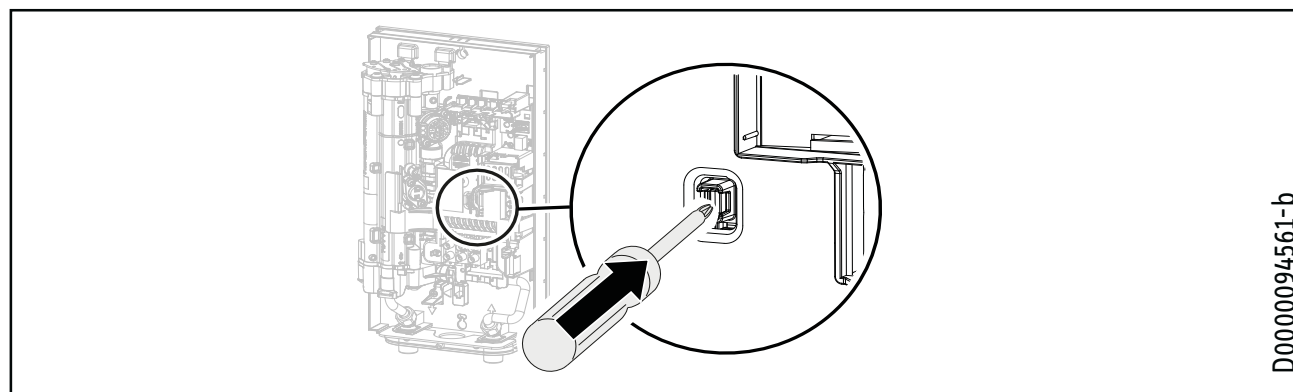
GUIDE DE DÉMARRAGE RAPIDE

Avant de mettre le chauffe-eau sous tension, vous DEVEZ évacuer tout l'air du système, puis enclencher l'interrupteur de sécurité AE3. L'appareil ne fonctionnera PAS tant que l'interrupteur de sécurité AE3 n'aura pas été enclenché.

- 1 Fixer l'appareil au mur (Voir section 10.1, « Installation murale standard », pg. 50).
- 2 Raccorder les branchements d'eau (Voir section 10.2, « Raccordements à l'eau », pg. 51).
- 3 Branchez les connexions électriques, mais gardez le disjoncteur éteint. (Voir section 10.4, « Connexion électrique », pg. 52)



- 4 Ouvrez et fermez toutes les vannes de tirage connectées au moins 5 fois, pendant au moins 3 minutes au total, jusqu'à ce que tout l'air ait été purgé de la tuyauterie et du chauffe-eau.
- 5 Assurez-vous qu'il n'y a pas de fuites d'eau au niveau des raccords de plomberie.



- 6 Engagez l'interrupteur de sécurité AE3 en appuyant fermement sur le bouton blanc de réarmement jusqu'à ce qu'il s'enclenche et se verrouille complètement en place (le chauffe-eau est livré avec l'interrupteur de sécurité désengagé).
- 7 Mettez le chauffe-eau sous tension à l'aide du disjoncteur situé dans le tableau des disjoncteurs.

INFORMATIONS SPÉCIALES

- Lisez ce manuel dans son intégralité. Le non-respect de tous les guides, instructions et règles peut entraîner des blessures ou des dommages matériels. Une installation, un réglage, une modification, un entretien et une utilisation incorrects de cet appareil peuvent entraîner des blessures graves.
- Cet appareil doit être installé par un électricien et un plombier agréés. L'installation doit être conforme à tous les codes nationaux, régionaux et locaux de plomberie et d'électricité. L'installation correcte est la responsabilité de l'installateur. Le non-respect des instructions d'installation et d'utilisation ou une utilisation incorrecte annule la garantie.
- Conservez ces instructions pour référence ultérieure. L'installateur doit laisser ces instructions au consommateur.
- Si vous avez des questions concernant l'installation, l'utilisation ou le fonctionnement de ce chauffe-eau, ou si vous avez besoin de manuels d'installation supplémentaires, veuillez appeler notre ligne de service technique au 800.582.8423 (États-Unis et Canada uniquement). Si vous appelez de l'extérieur des États-Unis ou du Canada, veuillez composer le 413.247.3380 et nous vous dirigerons vers un représentant de service qualifié de Stiebel Eltron dans votre région.
- Le chauffe-eau est adapté à l'alimentation d'une douche dans de nombreux climats (fonctionnement en douche). Si le chauffe-eau est également ou exclusivement utilisé pour la douche, l'entrepreneur qualifié doit ajuster la plage de réglage de la température à 50 °C (122 °F) ou moins en utilisant la protection interne anti-brûlure du chauffe-eau. En cas d'utilisation d'eau préchauffée, il faut s'assurer que la température d'entrée ne dépasse pas 55 °C (131 °F).
- La tension spécifiée doit correspondre à l'alimentation électrique. Voir la plaque signalétique sur le côté droit du chauffe-eau pour des informations complètes.
- Assurez-vous que le chauffe-eau peut être séparé de l'alimentation électrique par un disjoncteur qui déconnecte tous les pôles avec une séparation des contacts d'au moins 3 mm (1/8 po.).
- ATTENTION : NE PAS INSTALLER DANS UNE ENCEINTE DE BAIN OU UNE CABINE DE DOUCHE. NE PAS RACCORDER À UN ADOUCISSEUR D'EAU RÉGÉNÉRÉ PAR LE SEL OU À UNE SOURCE D'EAU SALÉE. À N'UTILISER QUE SUR UN CIRCUIT DE DÉRIVATION INDIVIDUEL. ATTENTION : NE RACCORDER QU'À UN CIRCUIT PROTÉGÉ PAR UN DISJONCTEUR DE FUITE À LA TERRE DE CLASSE A UTILISER LE CONDUCTEUR DE LIAISON CONFORMÉMENT AU CODE CANADIEN DE L'ÉLECTRICITÉ, PARTIE I
- Le chauffe-eau doit être correctement mis à la terre. Voir section 16.2, « Schémas de câblage », pg. 58.
- Le chauffe-eau doit être raccordé en permanence à un câblage fixe. À utiliser uniquement sur un circuit de dérivation individuel. Voir section 16.2, « Schémas de câblage », pg. 58.
- Fixez le chauffe-eau comme décrit dans le chapitre 10, « Installation », pg. 50.
- Respectez la pression d'alimentation en eau minimale autorisée de 1,8 bar (26,1 psi). Voir section 16.6, « Tableaux de données », pg. 60.
- Respectez la pression d'alimentation en eau maximale autorisée de 10 bars (145 psi). Voir section 16.6, « Tableaux de données », pg. 60.
- Vidangez le chauffe-eau comme décrit dans la section 14.1, « Vidange du chauffe-eau », pg. 56.

OPÉRATION

1. Informations générales

Les chapitres «Informations spéciales» et «Fonctionnement» sont destinés à la fois aux utilisateurs et aux entrepreneurs qualifiés.

Le chapitre «Installation» est destiné aux entrepreneurs qualifiés.



Note

Lisez attentivement ces instructions avant d'utiliser le chauffe-eau et conservez-les pour vous y référer ultérieurement. Transmettez les instructions à un nouvel utilisateur si nécessaire.

1.1 Instructions de sécurité

1.1.1 Structure des consignes de sécurité



MOT-CLÉ Type de risque

Ici sont énumérées les conséquences possibles qui peuvent résulter du non-respect des consignes de sécurité.

► Les mesures à prendre pour prévenir le risque sont énumérées.

1.1.2 Symboles, type de risque

Symbole	Type de risque
	Blessure
	Électrocution
	Brûlures ou ébouillancements

1.1.3 Mots-clés

MOT-CLÉ	Signification
DANGER	La non-observation de ces informations entraîne des blessures graves, voire la mort.
AVERTISSEMENT	La non-observation de ces informations peut entraîner des blessures graves, voire la mort.
ATTENTION	La non-observation de ces informations peut entraîner des blessures moyennement graves ou légères.

1.2 Autres symboles dans cette documentation



Note

Les informations générales sont identifiées par le symbole ci-contre. Lisez attentivement ces textes.

Symbole	Signification
	Pertes matérielles (dommages au chauffe-eau, pertes matérielles et dommages au site d'installation)

► Ce symbole indique que vous devez faire quelque chose. L'action que vous devez entreprendre est décrite étape par étape.

1.3 Unités de mesure



Note

Toutes les mesures sont indiquées en millimètres (pouces), sauf indication contraire.

2. Sécurité

2.1 Utilisation prévue

Le DHC Trend convient au chauffage de l'eau chaude sanitaire ou au réchauffement de l'eau préchauffée. Le chauffe-eau peut alimenter un ou plusieurs points de puisage tels que le lavage des mains, la cuisine ou les éviers de service.

Exemples :

- Éviers de toilettes dans les installations commerciales/industrielles et les foyers
- Zones de cuisine dans les installations commerciales/industrielles et les foyers
- Utilisations particulières dans les magasins de développement de photos, les laboratoires, etc.

L'eau ne sera pas réchauffée si la température maximale d'entrée pour le réchauffement est dépassée.

Le chauffe-eau est destiné à un usage domestique. Il peut être utilisé en toute sécurité par des personnes non formées. Le chauffe-eau peut également être utilisé dans des environnements non domestiques, par exemple dans de petites entreprises, à condition qu'il soit utilisé de la même manière.

Toute autre utilisation que celle décrite est considérée comme inappropriée. Le respect de ces instructions et des instructions relatives aux accessoires utilisés fait également partie de l'utilisation correcte de ce chauffe-eau.

2.2 Instructions générales de sécurité

**DANGER : Brûlures**

Une température de l'eau supérieure à 52 °C (125 °F) peut provoquer de graves brûlures instantanées ou la mort par échaudage. Un risque d'échaudage existe si le thermostat du chauffe-eau est réglé trop haut. Les ménages avec de jeunes enfants, des personnes handicapées ou âgées peuvent avoir besoin que le thermostat soit réglé à 43 °C (110 °F) ou moins pour éviter les risques de blessures dues à l'eau chaude.

**ATTENTION : Brûlures**

En cas de fonctionnement avec de l'eau préchauffée, par exemple à partir d'une installation solaire thermique, la température de l'ECS peut varier par rapport à la température de consigne sélectionnée.

**ATTENTION : Brûlures**

En fonctionnement, le robinet peut atteindre des températures allant jusqu'à 65 °C (149 °F). Il existe un risque d'échaudage à des températures de sortie supérieures de 43 °C (110 °F).

**DANGER : Blessure**

Veuillez lire et suivre ces instructions. Le non-respect de ces instructions peut entraîner des blessures graves ou la mort.



ATTENTION : NE PAS INSTALLER DANS UNE ENCEINTE DE BAIN OU UNE CABINE DE DOUCHE. NE PAS RACCORDER À UN ADOUCISSEUR D'EAU RÉGÉNÉRÉ AU SEL OU UNE EAU L'APPROVISIONNEMENT EN EAU SALÉE.

A UTILISER UNIQUEMENT SUR UN CIRCUIT DE DÉRIVATION INDIVIDUEL.

ATTENTION : SE CONNECTER UNIQUEMENT À UN CIRCUIT PROTÉGÉ PAR UN DISJONCTEUR DE FUITE À LA TERRE DE CLASSE A

UTILISER LE CONDUCTEUR DE LIAISON CONFORMÉMENT AU CODE CANADIEN DE L'ÉLECTRICITÉ, PARTIE I

**DANGER : Électrocution**

Avant de procéder à toute installation, réglage, modification ou entretien de cet appareil, tous les disjoncteurs et sectionneurs qui desservent l'appareil doivent être éteints. Le non-respect de cette consigne peut entraîner des blessures graves ou la mort.

**DANGER : Électrocution**

Ne retirez jamais le couvercle du chauffe-eau, sauf si l'électricité qui alimente le chauffe-eau est coupée. Le non-respect de cette consigne peut entraîner des blessures ou la mort.

**AVERTISSEMENT : Électrocution**

Le raccordement à l'alimentation électrique n'est autorisé qu'en tant que connexion permanente en liaison avec une pince Romex 3/4 po. Assurez-vous que le chauffe-eau peut être séparé de l'alimentation électrique par un isolateur qui déconnecte tous les pôles avec une séparation des contacts d'au moins 3 mm (1/8 po.).

**DOMMAGES AU CHAUFFE-EAU ET À L'ENVIRONNEMENT :**

Le chauffe-eau doit être installé par un électricien et un plombier agréés. L'installation doit être conforme à tous les codes nationaux, régionaux et locaux de plomberie et d'électricité. L'entretien du chauffe-eau doit être effectué par des techniciens qualifiés.

**DOMMAGES AU CHAUFFE-EAU ET À L'ENVIRONNEMENT :**

Cet appareil ne doit être alimenté que par un système mis à la terre. Une borne verte (ou un connecteur de fil marqué «G», «GR», «MASSE», OU «MISE A LA MASSE») est prévue pour le câblage de l'appareil. Pour réduire le risque de choc électrique, connectez cette borne ou ce connecteur à la borne de mise à la terre du panneau de service ou d'alimentation électrique avec un fil de cuivre continu, conformément au code des installations électriques.

**AVERTISSEMENT : Blessure**

Lorsque des enfants ou des personnes aux capacités physiques, sensorielles ou mentales limitées doivent être autorisés à commander ce chauffe-eau, assurez-vous que cela ne se fera que sous la surveillance ou après des instructions appropriées d'une personne responsable de leur sécurité. Les enfants doivent être surveillés afin de s'assurer qu'ils ne jouent jamais avec le chauffe-eau.

Lorsque des enfants ou des personnes aux capacités physiques, sensorielles ou mentales limitées sont autorisés à utiliser ce chauffe-eau, nous recommandons de demander à l'entrepreneur qualifié de fixer une limite de température permanente «Protection interne anti-brûlure». Voir section 11.1, « Réglage de la température via la fente du cavalier », pg. 53.

**Pertes matérielles**

L'utilisateur doit protéger le chauffe-eau contre le gel.

2.3 Label de conformité

Voir la plaque signalétique de l'appareil.

2.4 Homologation

- UL (U.S.A.) norme 499
- CSA (Canada) norme C22.2 No. 64

3. Inscrivez votre produit



Vous devez inscrire votre produit dans les 90 jours qui suivent la date d'achat sur notre site internet pour activer la garantie normale ou pour pouvoir réclamer la garantie prolongée. Rendez-vous à notre site internet à l'adresse suivante : www.stiebel-eltron-usa.com et cliquez sur « Register Your Product » (inscrivez votre produit).

Avant de lancer le processus d'inscription, nous vous conseillons d'avoir à portée de main la documentation nécessaire, à savoir : Modèle, Exemple : DHC 4/6-2 Trend (de l'étiquette qui se trouve sur l'appareil)

Numéro apparaissant après « No. » (N°)

Lieu d'achat

Date d'achat

Prénom et nom de famille

Adresse courriel

Adresse postale

Numéro de téléphone

Date d'installation

Si vous avez des questions concernant le processus d'enregistrement ou la garantie, veuillez contacter directement Stiebel Eltron USA au 800.582.8423.

4. Description du chauffe-eau

Le chauffe-eau se met automatiquement en marche dès qu'un robinet d'eau chaude est ouvert. Lorsque vous fermez le robinet, le chauffe-eau s'éteint automatiquement.

À partir du débit d'activation, l'unité de commande régule la puissance de chauffage correcte, en fonction de la température sélectionnée en interne par un entrepreneur via un cavalier lors de l'installation, et de la température actuelle de l'eau froide entrante.

Si le chauffe-eau fonctionne avec de l'eau préchauffée et que la température d'entrée dépasse la température de consigne choisie, l'eau n'est pas chauffée davantage.

Température fixe de l'eau chaude sanitaire (ECS)

Le chauffe-eau chauffe l'eau lorsqu'elle circule dans l'appareil.

La température fixe de sortie de l'ECS peut être ajustée par un entrepreneur via un cavalier lors de l'installation. La valeur par défaut est de 38 °C (100 °F). D'autres valeurs peuvent être sélectionnées : 43 °C (110 °F), 50 °C (122 °F), 60 °C (140 °F).

Système de chauffage

Le système de chauffage enroulé est composé d'une chambre de chauffage en polyamide renforcé de verre, testé sous pression, avec un serpentin de chauffage direct en fil nichrome. Il convient aux zones d'eau dure et d'eau douce et est largement insensible à l'entartrage. Le système de chauffage direct Coil™ assure une production d'eau chaude sanitaire rapide et efficace.



Note

Le chauffe-eau est équipé d'un détecteur d'air qui empêche en grande partie d'endommager le système de chauffage. Si, pendant le fonctionnement, de l'air est aspiré dans le chauffe-eau, celui-ci coupe la puissance de chauffage pendant une minute pour protéger le système de chauffage.

4.1 Paramètres recommandés

Le chauffe-eau électrique sans réservoir DHC Trend offre un maximum de confort et de précision dans la fourniture d'eau chaude sanitaire. Si vous devez faire fonctionner le chauffe-eau avec une vanne thermostatique, nous vous recommandons de régler la température de consigne requise sur la vanne thermostatique.

4.1.1 Suite à une interruption de l'approvisionnement en eau



Pertes matérielles

Pour éviter que le système de chauffage enroulé ne soit endommagé à la suite d'une interruption de l'alimentation en eau, le chauffe-eau doit être redémarré en suivant les étapes suivantes.

- ▶ Débranchez le chauffe-eau de l'alimentation électrique en coupant le disjoncteur connecté.
- ▶ Ouvrez et fermez toutes les vannes de tirage raccordées au moins 5 fois, pendant au moins 3 minutes au total, jusqu'à ce que tout l'air ait été purgé de la tuyauterie et du chauffe-eau.
- ▶ Remettez le courant au disjoncteur branché.

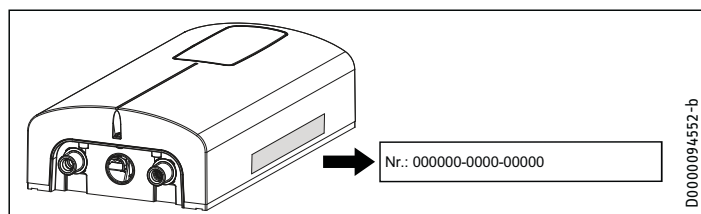
5. Nettoyage, entretien et maintenance

- ▶ N'utilisez jamais de produits de nettoyage abrasifs ou corrosifs. Un chiffon humide suffit pour nettoyer le chauffe-eau.
- ▶ Vérifiez régulièrement les robinets. Les dépôts calcaires à la sortie des robinets peuvent être éliminés à l'aide de détartrants disponibles dans le commerce.

6. Dépannage

Problème	Cause	Solution
Le chauffe-eau ne démarre pas bien que le robinet soit complètement ouvert	Il n'y a pas de puissance	Vérifiez que le disjoncteur du panneau de disjoncteurs ne s'est pas déclenché. Réinitialiser si nécessaire L'interrupteur de sécurité blanc AE3 n'a pas été enclenché lors du démarrage initial. Activez si nécessaire (Voir section 11.3.1, « Activation initiale de l'interrupteur de sécurité AE3 », pg. 55). Si l'interrupteur AE3 s'est déclenché après l'installation initiale, contactez un entrepreneur qualifié pour en déterminer la cause
	L'aérateur du robinet ou de la pomme de douche est encrassé	Nettoyer et/ou détartrer l'aérateur ou la pomme de douche
	L'approvisionnement en eau a été interrompu	Ventiler le chauffe-eau et la conduite d'arrivée d'eau froide
Lorsque l'eau chaude est prélevée, l'eau froide coule pendant une courte période	Le détecteur d'air détecte l'air dans l'eau. Il coupe brièvement la puissance de chauffage	Le chauffe-eau redémarre automatiquement après 1 minute

Si vous ne pouvez pas résoudre le problème, contactez votre entrepreneur qualifié. Pour faciliter et accélérer votre demande, veuillez indiquer le numéro de série figurant sur la plaque signalétique (000000-0000-000000). Pour une assistance technique en direct, veuillez nous contacter au 800.582.8423. Vous pouvez également nous envoyer un courriel à l'adresse suivante : info@stiebel-eltron-usa.com



INSTALLATION

7. Sécurité

Seul un entrepreneur qualifié doit effectuer l'installation, la mise en service, l'entretien et la réparation du chauffe-eau.

7.1 Instructions générales de sécurité

Nous garantissons un fonctionnement sans problème et une fiabilité opérationnelle uniquement si des accessoires et des pièces de rechange d'origine destinés au chauffe-eau sont utilisés.



Pertes matérielles

Respectez la température d'entrée maximale. Des températures plus élevées peuvent endommager le chauffe-eau. Vous pouvez limiter la température maximale d'entrée en installant une vanne thermostatique centrale.



AVERTISSEMENT : Électrocution

Ce chauffe-eau contient des condensateurs qui se déchargent lorsqu'ils sont déconnectés de l'alimentation électrique. La tension de décharge des condensateurs peut dépasser brièvement 60 V DC.

7.2 Instructions, normes et règlements



Note

Respectez toutes les réglementations et instructions nationales et régionales applicables.

- La résistivité électrique de l'eau ne doit pas être inférieure à celle indiquée sur la plaque signalétique. Dans un réseau d'eau relié, il faut tenir compte de la résistivité électrique la plus faible de l'eau. Votre service d'approvisionnement en eau vous informera de la résistivité ou de la conductivité électrique de l'eau dans votre région.

8. Description du chauffe-eau

8.1 Livraison standard

Les éléments suivants sont livrés avec le chauffe-eau :

- Filtre à tamis, installé en usine dans l'arrivée d'eau froide
- Cavalier pour la sélection de la température, ci-joint
- Cavalier pour la commutation de la puissance de sortie, ci-joint
- Cavalier, de rechange, attaché
- 2 x vis de montage
- 2 x ancrages muraux
- Réducteur/aérateur 1,9 l/min (0,5 gpm), DHC 3/3.5-1 Trend uniquement. Voir section 10.3, « Installation d'un aérateur au niveau du robinet raccordé », pg. 52, pour plus d'informations.

- 2 x réducteurs/aérateurs 1,9 l/min (0,5 GPM) et 1 x réducteur/aérateur 3,8 l/min (1,0 GPM), DHC 4/6-2 Trend uniquement. Voir section 10.3, « Installation d'un aérateur au niveau du robinet raccordé », pg. 52, pour plus d'informations.

9. Préparation

9.1 Site d'installation



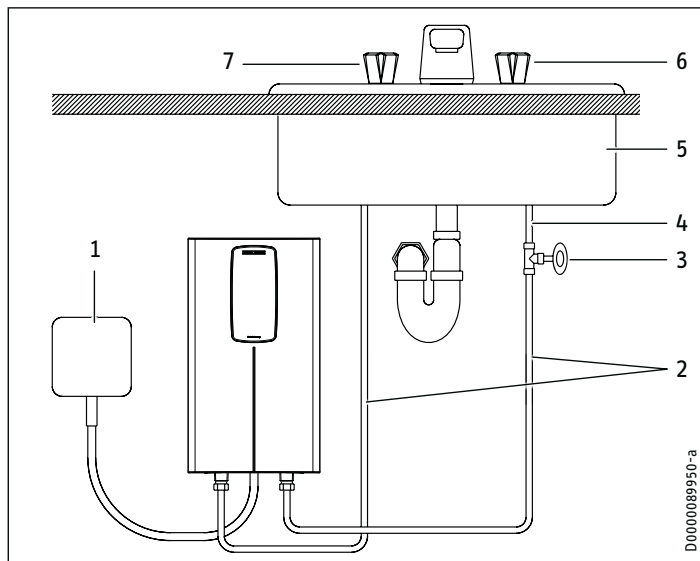
Pertes matérielles

Installez le chauffe-eau dans une pièce exempte de tout risque de gel.

- Installez le DHC Trend dans une zone sans gel. En cas de gel, retirez l'appareil avant que les températures de congélation ne s'installent.
- Installez toujours le chauffe-eau à la verticale, avec les raccords de plomberie pointant vers le bas. Installez le chauffe-eau près du point de soutirage afin de minimiser le tirage des tuyaux et les pertes thermiques.
- **Les robinets :** N'utilisez pas de robinets ouverts ou non pressurisés.

Le chauffe-eau est adapté à une installation sous l'évier et sur l'évier.

Installation typique sous l'évier



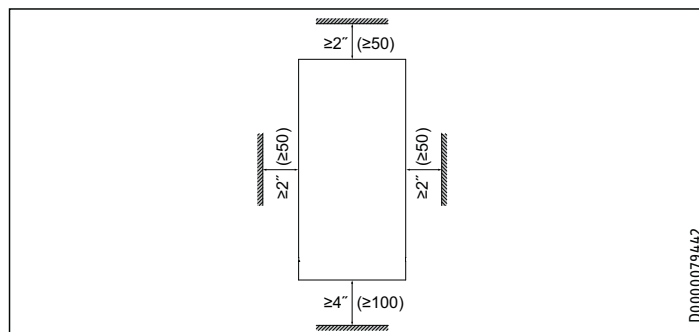
- 1 Boîte de jonction électrique
- 2 1/2 po. conduite d'alimentation en eau pour l'installation de robinets
- 3 Vanne d'arrêt
- 4 Alimentation en eau froide
- 5 Evier
- 6 Soupape de froid (à droite)
- 7 Vanne chaude (à gauche)



Note

- Installez le chauffe-eau au ras du mur. Le mur doit avoir une capacité de charge suffisante.

9.2 Espace libre minimum



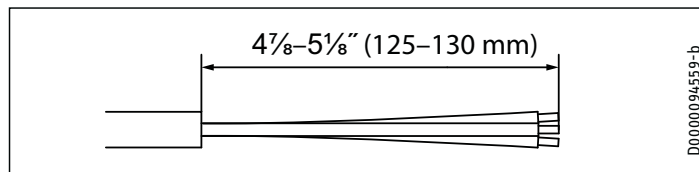
- Respectez les distances minimales de dégagement afin de garantir un fonctionnement sans problème du chauffe-eau et de faciliter les travaux d'entretien.

10. Installation

Paramètres par défaut	DHC 3/3.5-1 Trend	DHC 4/6-2 Trend	DHC 8/10-2 Trend	DHC 12/15-2 Trend
Réglage de la température intérieure, 38 (100) °C (°F)	38 (100)	38 (100)	38 (100)	38 (100)
Production de puissance @ 120 V	3,5 kW	-	-	-
@ 208 V	-	4,5 kW	7,2 kW	10,8 kW
@ 240 V	-	6,0 kW	9,6 kW	14,4 kW

10.1 Installation murale standard

10.1.1 Préparer le câble d'alimentation



- Préparez le câble d'alimentation.

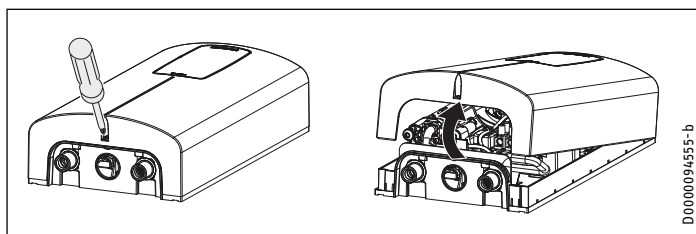
10.1.2 Instructions de montage

- Installez le DHC Trend le plus près possible du point de prélèvement d'eau chaude, par exemple, directement sous l'évier.
- Installez le DHC Trend dans un endroit à l'abri du gel. En cas de gel, retirez l'appareil avant que les températures de congélation ne s'installent.
- Respectez les dégagements minimums de tous les côtés pour assurer un entretien sans entrave si nécessaire.

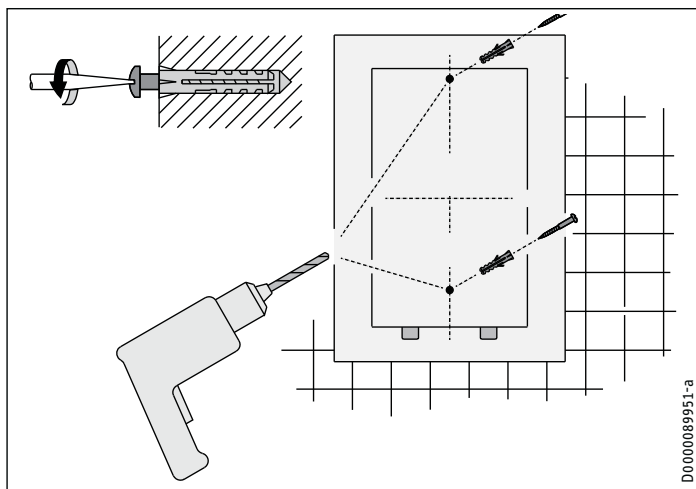
OPÉRATION

Installation

- ▶ Retirez le couvercle en plastique en desserrant la vis du fond. Soulevez le couvercle du fond.



- ▶ Marquez les 2 trous de perçage en vous référant à leur position en utilisant le panneau arrière du chauffe-eau comme guide.
- ▶ Mettez le panneau arrière du chauffe-eau de côté et percez les deux trous marqués.
- ▶ Installez les ancrages muraux dans le mur, puis insérez et serrez partiellement chaque vis de fixation. Les vis et les ancrages muraux en plastique pour le montage sur des cloisons sèches ou du bois sont fournies.
- ▶ Accrochez l'appareil sur les 2 vis de fixation en vous assurant que l'arrière de l'appareil est bien à fleur du mur.
- ▶ Une fois l'appareil en place, fixez-le solidement au mur en serrant complètement les deux vis de fixation.



10.2 Raccordements à l'eau



ATTENTION : NE PAS INSTALLER DANS UNE ENCEINTE DE BAIN OU UNE CABINE DE DOUCHE. NE PAS RACCORDER À UN ADOUCISSEUR D'EAU RÉGÉNÉRÉ AU SEL OU UNE EAU L'APPROVISIONNEMENT EN EAU SALÉE.

A UTILISER UNIQUEMENT SUR UN CIRCUIT DE DÉRIVATION INDIVIDUEL.

ATTENTION : SE CONNECTER UNIQUEMENT À UN CIRCUIT PROTÉGÉ PAR UN DISJONCTEUR DE FUITE À LA TERRE DE CLASSE A

UTILISER LE CONDUCTEUR DE LIAISON CONFORMÉMENT AU CODE CANADIEN DE L'ÉLECTRICITÉ, PARTIE I



Pertes matérielles

Effectuer tous les travaux de raccordement et d'installation de l'eau conformément à la réglementation.



Pertes matérielles

La chaleur excessive des soudures sur les tuyaux en cuivre à proximité du DHC peut endommager l'appareil ou le filtre en plastique situé dans l'entrée d'eau froide.



AVIS

Le raccordement à l'eau froide de l'appareil DOIT être débranché périodiquement afin de nettoyer la grille du filtre. Il est nécessaire d'utiliser des raccords d'eau qui sont facilement détachables, tels que des raccords flexibles en acier tressé.



AVIS

L'eau dure ou l'eau à forte teneur en minéraux peut endommager l'appareil. Les dommages causés à l'appareil par le calcaire ou une forte teneur en minéraux ne sont pas couverts par la garantie.



AVIS

Les chauffe-eau sans réservoir tels que le DHC Trend ne sont pas tenus d'être équipés d'une soupape de sécurité température et pression (T&P). Si l'inspecteur local ne veut pas passer l'installation sans T&P, celle-ci doit être installée du côté de la sortie d'eau chaude de l'appareil.

10.2.1 Matériaux de raccordement à l'eau autorisés

- ▶ La sortie d'eau chaude du DHC (à gauche) est conçue pour être raccordée à un tube en cuivre, un tube PEX ou un tuyau en acier inoxydable tressé avec un filetage femelle conique 1/2" NPT.
- ▶ La tuyauterie du côté de l'entrée d'eau froide (à droite) doit être telle qu'elle puisse être facilement démontée pour permettre l'accès à la grille du filtre d'entrée. Le moyen le plus simple pour y parvenir est d'utiliser un raccord flexible en acier tressé avec un raccord NPT femelle 1/2".



Pertes matérielles

Si des systèmes de tuyauterie en plastique sont utilisés, il faut tenir compte de la température d'entrée maximale et de la pression maximale autorisée.

10.2.2 Débit

- ▶ Assurez-vous que le débit minimum d'activation pour la mise en marche du chauffe-eau est respecté : 0,264 gal (1,0 l/min).
- ▶ Si le débit minimum d'activation requis n'est pas atteint lorsque la vanne de tirage est complètement ouverte, augmentez la pression de la conduite d'eau. La pression d'alimentation minimale est de 1,8 bar (26,1 psi).

OPÉRATION

Installation

10.2.3 Instructions pour le raccordement à l'eau

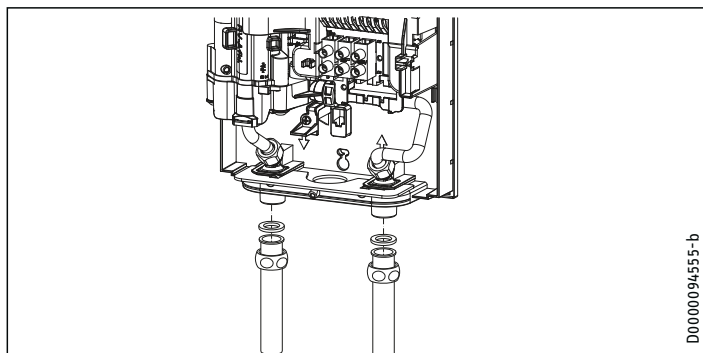
! Pertes matérielles

S'il est nécessaire de souder à proximité de l'appareil, veuillez diriger la flamme loin du boîtier de l'appareil afin d'éviter tout dommage. Notez que la chaleur excessive provenant de la soudure (non recommandée) à proximité du raccord d'entrée d'eau froide peut endommager le filtre en plastique situé à l'intérieur.

Tous les travaux de plomberie doivent être conformes aux codes de plomberie nationaux et locaux en vigueur.

Le raccordement d'eau froide (entrée) se trouve sur le côté droit de l'appareil, le raccordement d'eau chaude (sortie) se trouve sur le côté gauche de l'appareil.

- ▶ Un réducteur de pression doit être installé si la pression d'alimentation en eau froide dépasse 10 bars (150 psi).
- ▶ Assurez-vous que la conduite d'alimentation en eau froide a été rincée pour éliminer le tartre et les saletés.
- ▶ Installez un robinet d'arrêt dans la conduite d'eau froide comme indiqué dans l'illustration de la page 8. Cela permet d'isoler facilement l'appareil à des fins d'entretien.



- ▶ Connexion de connecteurs flexibles en acier tressé (recommandé pour la sortie chaude, requis pour l'entrée froide, non fourni) aux connecteurs mâles jumeaux 1/2 po. NPT.
- ▶ Ouvrez la vanne d'arrêt dans la conduite d'entrée d'eau froide.

Lorsque tous les travaux de plomberie sont terminés, vérifiez s'il y a des fuites et prenez des mesures correctives avant de poursuivre.

10.3 Installation d'un aérateur au niveau du robinet raccordé

Le DHC 3/3.5-1 Trend est équipé d'un réducteur/actionneur à compensation de pression de 0,5 gpm qui doit être installé sur le robinet auquel le chauffe-eau est raccordé. Si l'aérateur n'est pas installé, la température de l'eau peut être inférieure à celle souhaitée.

Le DHC 4/6-2 Trend est équipé d'un aérateur de 3,8 l/min (1,0 gpm) et de 2 aérateurs de 1,9 l/min (0,5 gpm), ce qui permet une flexibilité d'installation maximale. Un seul aérateur de 1,9 l/min ou 3,8 l/min, selon l'augmentation de température requise, doit être installé lorsque l'appareil est utilisé à la puissance de sortie [basse] (position du cavalier 1). Lorsque la puissance de sortie est réglée sur [haute] (réglage par défaut en usine, cavalier en position 2), l'appareil peut

être raccordé à un seul évier à l'aide de l'aérateur de 3,8 l/min, ou à deux éviers à l'aide des aérateurs de 2 x 1,9 l/min. Si le ou les aérateurs ne sont pas installés, la température de l'eau peut être inférieure à celle souhaitée.

10.4 Connexion électrique



AVERTISSEMENT : Électrocution

Avant de commencer tout travail sur l'installation électrique, assurez-vous que les interrupteurs du panneau de disjoncteurs principaux sont « Off » pour éviter tout risque de choc électrique. Tous les travaux de montage et de plomberie doivent être terminés avant de procéder au branchement électrique.

L'appareil doit être correctement mis à la terre conformément aux codes locaux et d'État ou, en l'absence de tels codes, conformément au code électrique national ou au code électrique canadien. Le fait de ne pas mettre l'appareil à la terre peut entraîner des blessures graves, voire mortelles.



Avertissement : Électrocution

Le raccordement à l'alimentation électrique n'est autorisé qu'en tant que connexion permanente en liaison avec une pince Romex 3/4 po. Assurez-vous que le chauffe-eau peut être séparé de l'alimentation électrique par un isolateur qui déconnecte tous les pôles avec une séparation des contacts d'au moins 3 mm (1/8 po.).



ATTENTION : NE PAS INSTALLER DANS UNE ENCEINTE DE BAIN OU UNE CABINE DE DOUCHE. NE PAS RACCORDER À UN ADOUCISSEUR D'EAU RÉGÉNÉRÉ AU SEL OU UNE EAU L'APPROVISIONNEMENT EN EAU SALÉE.

A UTILISER UNIQUEMENT SUR UN CIRCUIT DE DÉRIVATION INDIVIDUEL.

ATTENTION : SE CONNECTER UNIQUEMENT À UN CIRCUIT PROTÉGÉ PAR UN DISJONCTEUR DE FUITE À LA TERRE DE CLASSE A

UTILISER LE CONDUCTEUR DE LIAISON CONFORMÉMENT AU CODE CANADIEN DE L'ÉLECTRICITÉ, PARTIE I



N'alimentez cet appareil qu'à partir d'un système mis à la terre. Une borne verte (ou un connecteur de fil marqué « G », « GR », « MASSE », OU « MISE À LA MASSE ») est fournie pour le câblage de l'appareil. Pour réduire le risque de choc électrique, connectez cette borne ou ce connecteur à la borne de mise à la terre du panneau de service ou d'alimentation électrique avec un fil de cuivre continu, conformément au code des installations électriques.



Pertes matérielles

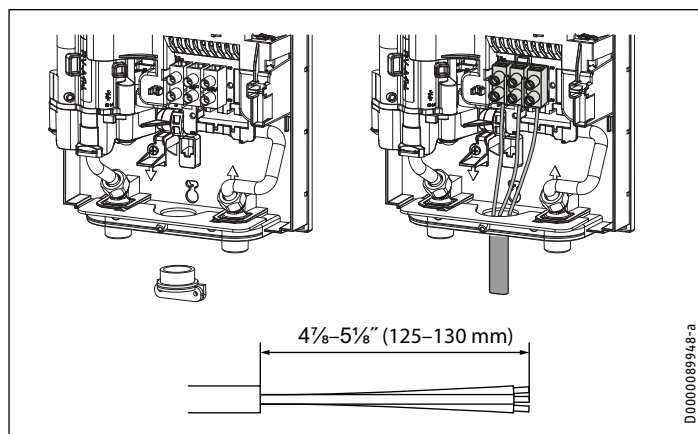
Observez la plaque signalétique. La tension nominale spécifiée doit correspondre à la tension de la ligne d'alimentation.



Pertes matérielles

Le DHC 3/3.5-1 Trend ne doit être connecté qu'à une alimentation électrique de 120 V. Le branchement du DHC 3/3.5-1 Trend à une alimentation électrique de 208-240 V endommagera l'appareil de façon permanente et annulera la garantie d'usine.

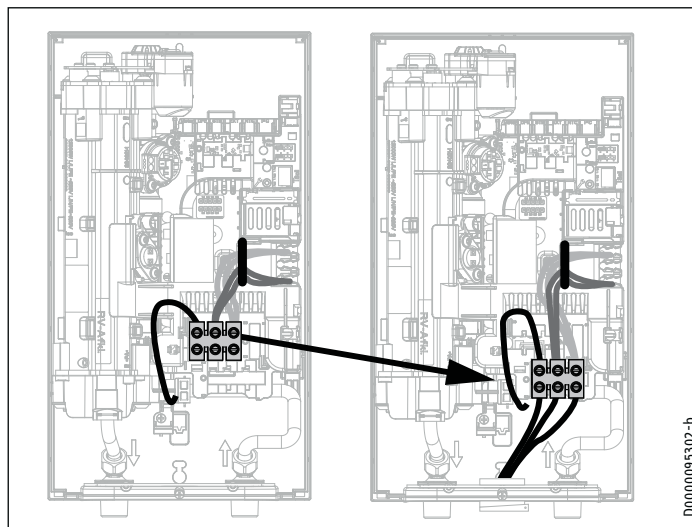
- ▶ Tous les travaux électriques doivent être conformes aux codes électriques nationaux et locaux en vigueur.
- ▶ Le DHC Trend doit être connecté à un circuit de dérivation dédié correctement mis à la terre et d'une tension nominale appropriée. Dans les installations comportant plusieurs unités DHC Trend, chaque unité nécessite un circuit indépendant. Veuillez vous référer au tableau des données techniques pour connaître la taille correcte des fils et des disjoncteurs.
- ▶ Une pince Romex 3/4 po. (obligatoire, non fournie) doit être installée dans l'ouverture située entre les raccordements d'eau chaude et froide. Le fil doit être introduit par la pince Romex. Les fils « sous tension » doivent être connectés aux fentes du bornier marquées N et L (DHC 3/3.5-1 Trend uniquement) ou L et L (toutes les autres versions). Le fil de terre doit être connecté à la fente marquée du symbole de terre. Voir section 16.2, « Schémas de câblage », pg. 58.



10.5 Connexion électrique avec un câble d'alimentation court

Si le câble d'alimentation n'est pas assez long, le bloc de câblage peut être installé plus près de l'ouverture du chauffe-eau.

- ▶ Repositionnez le bloc de câblage du haut vers le bas. Pour ce faire, déclipsiez le bloc de câblage en le poussant fermement vers la gauche et en le tirant vers l'avant.



- ▶ Clipsez le bloc de câblage en bas en le poussant vers l'intérieur et vers la gauche jusqu'à ce qu'il s'enclenche en place.

10.6 Bloc de câblage

Consultez le tableau ci-dessous pour connaître les couples de serrage recommandés pour les vis du bloc de câblage.

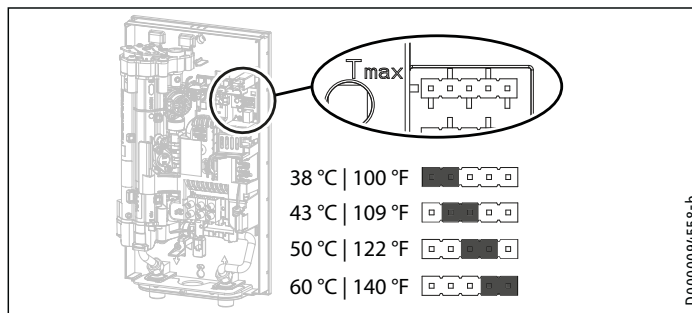
Taille de la vis (mm)	Min. Couple (N•cm)	Min. Couple (lbf•in)
M6	200-250	17,7-22,1

L'utilisation de spécifications de couple appropriées pour fixer le fil au bloc de câblage permet d'éviter les pertes personnelles ou les dommages matériels.

11. Mise en service

11.1 Réglage de la température via la fente du cavalier

La température maximale de sortie de chaque position de cavalier en fonctionnement normal dépend de la tension de fonctionnement, du débit et de la température de l'eau d'arrivée. Voir les tableaux ci-dessous pour la température maximale de sortie aux tensions nominales de fonctionnement de 240 V et 208 V.



OPÉRATION

Mise en service

Position du cavalier (240 V)	Description
38 °C 100 °F @ 240 V	Applications de lavage des mains conformes au code (réglage par défaut en usine)
43 °C 109 °F @ 240 V	Demandes pour lesquelles le risque d'échaudure peut être une source de pré-occupation
50 °C 122 °F @ 240 V	ECS pour évier de cuisine, évier de service, etc.
60 °C 140 °F @ 240 V	Applications commerciales (cuisines, etc.), exigences du code de la santé
Pas de cavalier	Limite 38 °C 100 °F

Position du cavalier (208 V)*	Description
32 °C 90 °F @ 208 V	De l'eau tiède pour se laver les mains (réglage par défaut de l'usine)
36 °C 97 °F @ 208 V	Applications de lavage des mains conformes au code
41 °C 106 °F @ 208 V	De l'eau chaude pour se laver les mains
49 °C 120 °F @ 208 V	ECS pour évier de cuisine, évier de service, etc.
Pas de cavalier	Limite 32 °C 90 °F

*Toutes les températures de sortie indiquées supposent une entrée d'eau température de 15 °C | 59 °F

- Installez le cavalier à l'endroit voulu sur la bande à broches « T_{max} ».

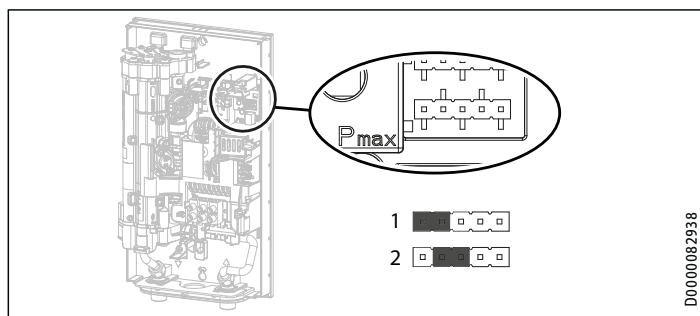


ATTENTION : Brûlures

Si l'eau alimentant l'appareil est préchauffée, la limite interne de protection contre l'ébullition peut être dépassée. Dans ce cas, limitez la température à l'aide d'une vanne thermostatique centrale située en amont.

11.2 Changement de la puissance de sortie via la fente du cavalier

Si vous sélectionnez une valeur autre que le réglage par défaut de l'usine, vous devrez repositionner le cavalier.



- Installez le cavalier à l'endroit voulu sur la bande à broches « P_{max} ».

Position du cavalier		Puissance de sortie	
		DHC 3/3.5-1 Trend	DHC 4/6-2 Trend
1 [basse]	@ 120 V	3,0 kW	-
	@ 208 V	-	2,9 kW
	@ 240 V	-	3,8 kW
2 [haut] défaut usine	@ 120 V	3,5 kW	-
	@ 208 V	-	4,5 kW
	@ 240 V	-	6,0 kW
Pas de cavalier [basse]	@ 120 V	3,0 kW	-
	@ 208 V	-	2,9 kW
	@ 240 V	-	3,8 kW

Position du cavalier		Puissance de sortie	
		DHC 8/10-2 Trend	DHC 12/15-2 Trend
1 [basse]	@ 208 V	5,4 kW	9,0 kW
	@ 240 V	7,2 kW	12,0 kW
2 [haut] défaut usine	@ 208 V	7,2 kW	10,8 kW
	@ 240 V	9,6 kW	14,4 kW
Pas de cavalier [basse]	@ 208 V	5,4 kW	9,0 kW
	@ 240 V	7,2 kW	12,0 kW

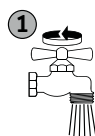
- Marquez la puissance de sortie sélectionnée sur la plaque signalétique. Utilisez un stylo à bille pour ce faire.

11.3 Démarrage initial



Note

Lors du premier démarrage, vous DEVEZ enclencher l'interrupteur de sécurité AE3 en appuyant sur le bouton blanc de réinitialisation avant d'alimenter le chauffe-eau. L'appareil ne fonctionnera PAS tant que l'interrupteur de sécurité n'aura pas été enclenché.



Ouvrir

⌚ ≥ 3 min.

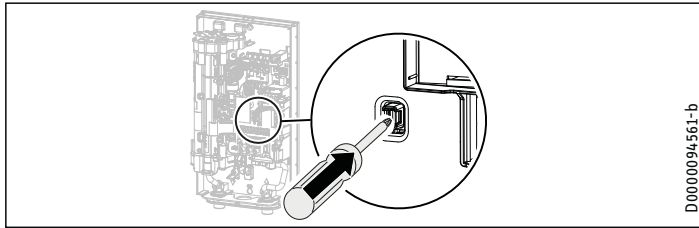
Allumer



D0000053277

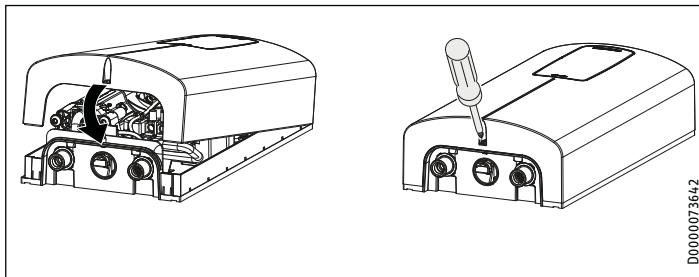
- Ouvrez et fermez toutes les vannes de tirage connectées au moins cinq fois au total. Laissez l'eau couler pendant au moins trois minutes, jusqu'à ce que tout l'air ait été purgé de la tuyauterie et du chauffe-eau.
- Assurez-vous qu'il n'y a pas de fuites d'eau au niveau des raccords de plomberie.

11.3.1 Activation initiale de l'interrupteur de sécurité AE3



D0000094561-b

- ▶ Engagez l'interrupteur de sécurité AE3 en appuyant fermement sur le bouton blanc de réarmement jusqu'à ce qu'il s'enclenche et se verrouille complètement en place (le chauffe-eau est livré avec l'interrupteur de sécurité désengagé).



D0000073642

- ▶ Accrochez le couvercle du chauffe-eau dans le panneau arrière du chauffe-eau, en haut à l'arrière. Faites pivoter le couvercle vers le bas. Vérifiez que le couvercle est bien en place en haut et en bas.
- ▶ Fixez le couvercle à l'aide de la vis.
- ▶ Retirez le film de protection du panneau avant.



Allumer

D0000033281

- ▶ Allumez l'alimentation électrique.

11.3.2 Remise du chauffe-eau

- ▶ Expliquez les fonctions du chauffe-eau aux utilisateurs et familiarisez-les avec son fonctionnement.
- ▶ Sensibiliser l'utilisateur aux dangers potentiels, en particulier au risque d'échaudure.
- ▶ Remettez-lui les instructions.

11.4 Fonctionnement avec de l'eau préchauffée

La température maximale d'entrée peut être limitée par l'installation d'une vanne thermostatique centrale. Utilisez la vanne thermostatique pour le pré-mélange central, par exemple lorsque vous utilisez un chauffe-eau sans réservoir avec de l'eau préchauffée.

11.5 Remise en service



Pertes matérielles

Pour que le système de chauffage enroulé ne soit pas endommagé à la suite d'une interruption de l'alimentation en eau, le chauffe-eau doit être redémarré en prenant les mesures suivantes :

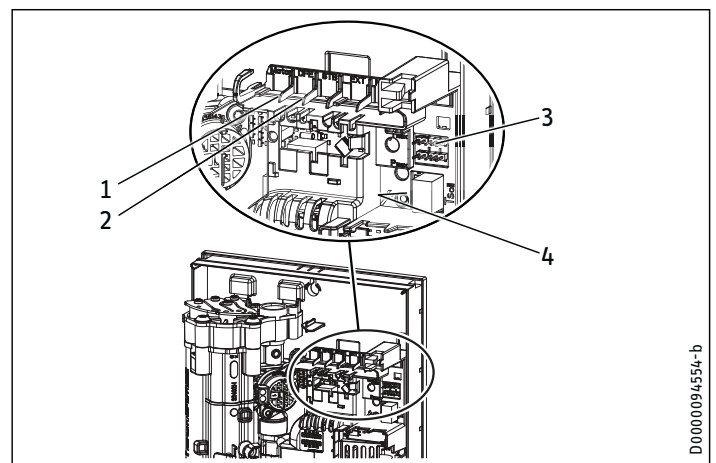
- ▶ Débranchez le chauffe-eau de l'alimentation électrique en tournant le disjoncteur connecté.
- ▶ Ouvrez et fermez toutes les vannes de tirage connectées au moins 5 fois, pendant au moins 3 minutes au total, jusqu'à ce que tout l'air ait été purgé de la tuyauterie et du chauffe-eau.
- ▶ Remettez l'appareil sous tension.

12. Arrêt du chauffe-eau

- ▶ Coupez l'alimentation de l'appareil au niveau du panneau des disjoncteurs en vous assurant que les disjoncteurs connectés sont «OFF» pour éviter tout risque de choc électrique.
- ▶ Vidangez le chauffe-eau (Voir section 14.1, « Vidange du chauffe-eau », pg. 56").

13. Informations sur les services

Aperçu de la connexion/des composants



D0000094554-b

- 1 Capteur de débit
- 2 Coupure de sécurité à haute limite, réarmement automatique, Klixon
- 3 Bandes de broches pour la sélection de la puissance et de la température
- 4 Lampes diagnostiques

14. Maintenance



AVERTISSEMENT : Électrocution

Avant de commencer tout travail sur le chauffe-eau, assurez-vous que les interrupteurs du panneau de disjoncteurs principaux sont sur « Off » pour éviter tout risque de choc électrique.

14.1 Vidange du chauffe-eau

Le chauffe-eau peut être vidangé pour les travaux d'entretien.



AVERTISSEMENT : Brûlures

L'eau chaude peut s'échapper lorsque vous vidangez le chauffe-eau.

- ▶ Fermez la vanne d'arrêt dans la conduite d'arrivée d'eau froide.
- ▶ Ouvrez toutes les vannes de tirage.
- ▶ Desserrez les raccords d'eau sur le chauffe-eau.
- ▶ Conservez le chauffe-eau démonté à l'abri du gel, car les résidus d'eau restant à l'intérieur du chauffe-eau peuvent geler et causer des dommages.

14.2 Nettoyage de la grille de filtrage



AVERTISSEMENT : Brûlures

L'eau chaude peut s'échapper lorsque vous vidangez le chauffe-eau.



Pertes matérielles

Pour que le système de chauffage enroulé ne soit pas endommagé à la suite d'une interruption de l'alimentation en eau, le chauffe-eau doit être redémarré en prenant les mesures suivantes :

- ▶ Débranchez le chauffe-eau de l'alimentation électrique en tournant le disjoncteur connecté.
- ▶ Ouvrez et fermez toutes les vannes de tirage connectées au moins 5 fois, pendant au moins 3 minutes au total, jusqu'à ce que tout l'air ait été purgé de la tuyauterie et du chauffe-eau.
- ▶ Remettez l'appareil sous tension.

Le DHC Trend est équipé d'un filtre à sédiments intégré qui doit être nettoyé périodiquement :

- ▶ Coupez le courant du chauffe-eau au niveau du disjoncteur.
- ▶ Coupez l'alimentation en eau du chauffe-eau au niveau de la vanne d'arrêt.
- ▶ Ouvrez un robinet d'eau chaude raccordé pour réduire la pression accumulée (cela réduira les fuites lors du retrait du raccord de l'entrée d'eau froide).
- ▶ Débranchez le connecteur flexible en acier tressé du raccord d'entrée d'eau froide (à droite).
- ▶ Pour retirer la crêpine du bas de l'entrée d'eau froide, insérez soigneusement un tournevis à tête plate juste au-dessus de la lèvres en plastique de la crêpine, et tirez doucement vers le bas.

- ▶ Nettoyez la grille du filtre, réinsérez-la solidement dans le raccord d'entrée d'eau froide et rebranchez le connecteur flexible en acier tressé à l'entrée d'eau froide.
- ▶ Ouvrez la vanne d'arrêt de l'alimentation en eau froide.
- ▶ Purgez l'air des tuyaux et du chauffe-eau en ouvrant et en fermant toutes les vannes d'arrêt connectées au moins 5 fois, pendant au moins 3 minutes au total, jusqu'à ce que tout l'air ait été purgé des tuyaux et du chauffe-eau.
- ▶ Mettez le disjoncteur en marche pour alimenter l'appareil en électricité.

15. Dépannage



AVERTISSEMENT : Électrocution

Ne retirez ou ne réinstallez jamais le couvercle du chauffe-eau, sauf si l'électricité qui alimente l'appareil est coupée. Le non-respect de cette consigne peut entraîner des blessures ou la mort.



AVERTISSEMENT : Électrocution

Pour tester le chauffe-eau à l'aide des voyants de diagnostic internes, il doit être branché sur l'alimentation électrique. Lors d'un test avec le couvercle fermé, ne touchez jamais aucune partie du chauffe-eau. Cela pourrait entraîner des blessures graves, voire mortelles.



Note

Lorsque vous testez le chauffe-eau à l'aide des voyants de diagnostic, de l'eau doit circuler dans l'appareil.

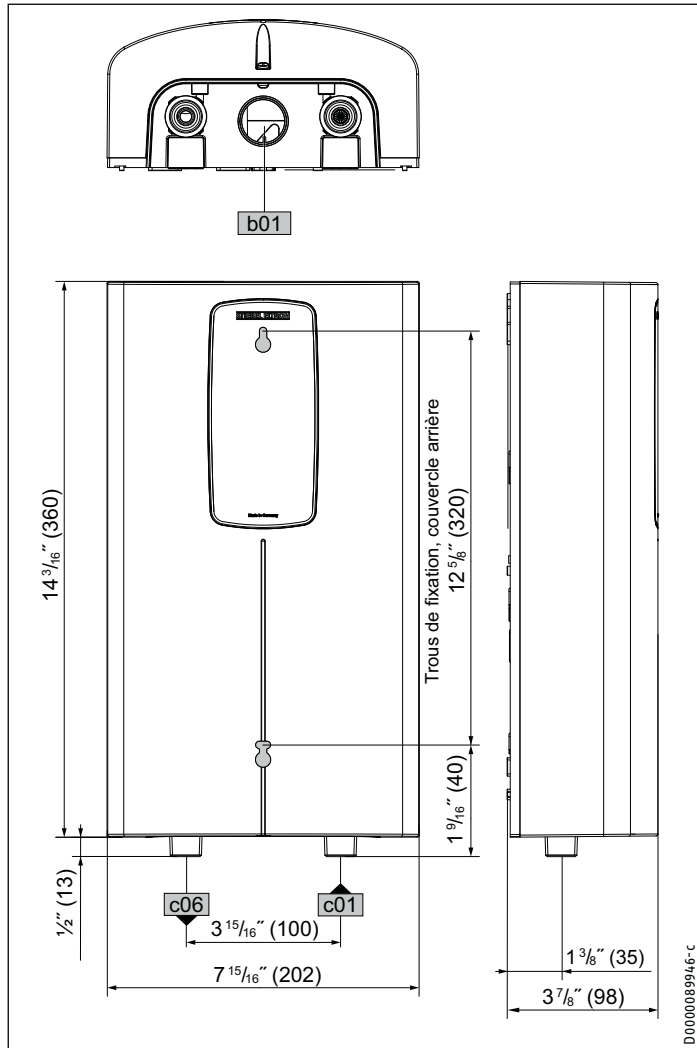
Lampes diagnostiques

●○○	Rouge	S'allume en cas de panne
○○●	Jaune	S'allume en mode chauffage / clignote lorsque la limite de puissance est atteinte
○○○	Vert	Clignotant : Chauffe-eau connecté à l'alimentation électrique

Lampes diagnostiques	Problème	Cause	Solution
Aucune LED n'est allumée	Le chauffe-eau ne chauffe pas	Il n'y a pas de puissance	Vérifiez que le disjoncteur connecté dans le panneau principal n'a pas déclenché. Réinitialisez si nécessaire
		Le PCB est défectueux	Remplacer le module de fonction
Vert clignotant, jaune éteint, rouge éteint	Pas d'ECS	La pomme de douche/l'aérateur est mis à l'échelle	Détartre ou remplacer la pomme de douche/l'aérateur si nécessaire
		L'écran filtrant de l'entrée d'eau froide est sale	Nettoyez la grille du filtre. Voir section 14.2, « Nettoyage de la grille de filtrage », pg. 56
		Le capteur de débit n'est pas branché	Connecter le câble au PCB
		Le capteur de débit est défectueux	Remplacer le module de fonction
Vert clignotant, jaune allumé, rouge éteint	La température de sortie ne correspond pas à la valeur de consigne	Le PCB est défectueux	Remplacer le module de fonction
		L'appareil est connecté à une alimentation électrique <240 V	Veuillez respecter les informations figurant dans la section 11.1, « Réglage de la température via la fente du cavalier », pg. 53
		Le robinet est défectueux	Remplacer le robinet
		Le système de chauffage est défectueux	Remplacer le module de fonction
Green flashing, yellow off, red on	Pas d'ECS	Le PCB est défectueux	Remplacer le module de fonction
		Air détecté	Continuer le tirage au sort pendant >1 minute
		Interrupteur de sécurité AE3 non activé lors de la mise en service	Activez l'interrupteur de sécurité AE3 en appuyant fermement sur le bouton de réinitialisation. Voir section 11.3.1, « Activation initiale de l'interrupteur de sécurité AE3 », pg. 55
		Interrupteur de sécurité AE3 déclenché par une coupure de sécurité haute limite à réarmement automatique	Vérifier le Klixon de sécurité de limite supérieure (connexion enfichable, câble de connexion) ; activer l'interrupteur de sécurité AE3
		L'interrupteur de sécurité AE3 réagit à nouveau après vérification du Klixon du limiteur de sécurité supérieur ; limiteur de sécurité supérieur défectueux	Remplacer le Klixon de sécurité de la limite supérieure ; activer l'interrupteur de sécurité AE3 et aspirer l'eau à la valeur maximale fixée pendant >1 min
		L'interrupteur de sécurité réagit à nouveau ; le PCB est défectueux	Remplacer le module de fonction
PCB défectueux (rupture de fil ou court-circuit dans le capteur d'entrée)	Remplacer le module de fonction		

16. Spécification

16.1 Dimensions



		DHC Trend	
b01	Câble d'alimentation électrique		
c01	Raccordement à l'eau froide	Fil mâle	1/2 po. NPT
c06	Raccordement à l'eau chaude	Fil mâle	1/2 po. NPT

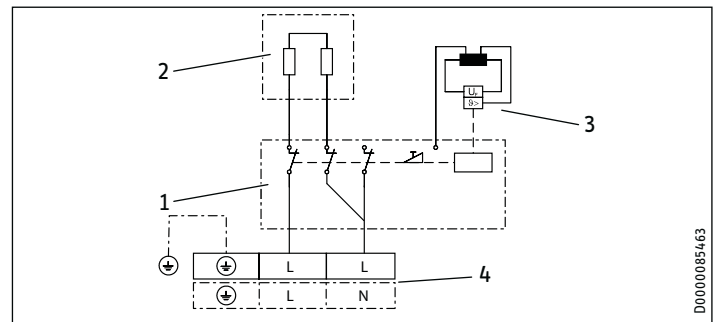
16.2 Schémas de câblage

DHC 3/3.5-1 Trend

L N 1/Neutre/Terre (GND) ~ 120 V

DHC 4/6-2 Trend

L L 2/Terre (GND) ~ 208 / 240 V

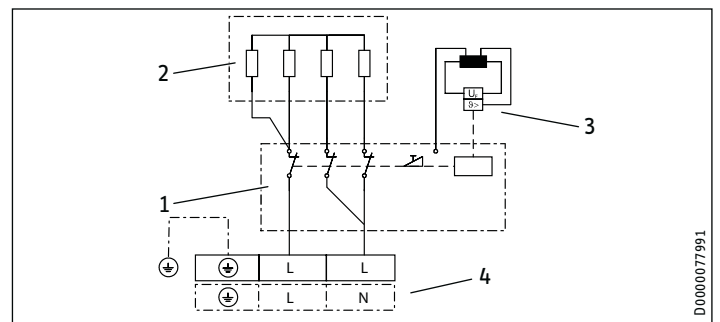


- 1 Carte de puissance PCB avec interrupteur de sécurité intégré
- 2 Système de chauffage enroulé
- 3 Disjoncteur de sécurité haute limite à réarmement automatique, Klixon
- 4 Bloc de câblage

DHC 8/10-2 Trend | DHC 12/15-2 Trend

L L 2/Terre (GND) ~ 208 / 240 V

L N 1/Neutre/Terre (GND) ~ 208 / 240 V



- 1 Carte de puissance PCB avec interrupteur de sécurité intégré
- 2 Système de chauffage enroulé
- 3 Disjoncteur de sécurité haute limite à réarmement automatique, Klixon
- 4 Bloc de câblage

OPÉRATION

Spécification

16.3 Production d'eau chaude

La production d'eau chaude sanitaire (ECS) dépend de l'alimentation électrique connectée, de la charge connectée du chauffe-eau et de la température d'entrée de l'eau froide. La tension nominale et la puissance nominale sont indiquées sur la plaque signalétique.

Modèle	Puissance en kW			100 °F production d'ECS en gpm			
	Tension nominale			Température d'entrée de l'eau froide			
	120 V	208 V	240 V	41 °F	50 °F	59 °F	68 °F
DHC-E 3/3.5-1	3,0			0,35	0,41	0,5	0,64
Trend	3,5			0,41	0,48	0,58	0,75
DHC-E 4/6-2		2,9		0,34	0,4	0,48	0,62
Trend		4,5		0,52	0,61	0,75	0,96
			3,8	0,44	0,52	0,63	0,81
			6,0	0,69	0,82	1,0	1,28
DHC-E 8/10-2		5,4		0,63	0,74	0,9	1,15
Trend		7,2		0,83	0,98	1,2	1,54
			7,2	0,83	0,98	1,2	1,54
			9,6	1,11	1,31	1,6	2,05
DHC-E 12/15-2		9,0		1,04	1,23	1,5	1,92
Trend & Plus		10,8		1,24	1,46	1,78	2,28
			12,0	1,39	1,64	2,0	2,56
			14,4	1,67	1,97	2,4	3,07

Modèle	Puissance en kW			122 °F production d'ECS en gpm			
	Tension nominale			Température d'entrée de l'eau froide			
	120 V	208 V	240 V	41 °F	50 °F	59 °F	68 °F
DHC-E 3/3.5-1	3,0			-	0,28	0,33	0,38
Trend	3,5			0,3	0,33	0,38	0,44
DHC-E 4/6-2		2,9		-	0,28	0,31	0,37
Trend		4,5		0,38	0,43	0,49	0,57
			3,8	0,32	0,36	0,41	0,48
			6,0	0,51	0,57	0,65	0,76
DHC-E 8/10-2		5,4		0,46	0,51	0,59	0,68
Trend & Plus		7,2		0,61	0,68	0,78	0,91
			7,2	0,61	0,68	0,78	0,91
			9,6	0,81	0,91	1,04	1,21
DHC-E 12/15-2		9,0		0,76	0,85	0,98	1,14
Trend & Plus		10,8		0,9	1,02	1,16	1,35
			12,0	1,01	1,14	1,3	1,52
			14,4	1,21	1,37	1,56	1,82

Modèle	Puissance en kW			38 °C Production d'ECS en L/min			
	Tension nominale			Température d'entrée de l'eau froide			
	120 V	208 V	240 V	5 °C	10 °C	15 °C	20 °C
DHC-E 3/3.5-1	3,0			1,3	1,5	1,9	2,4
Trend	3,5			1,5	1,8	2,2	2,8
DHC-E 4/6-2		2,9		1,3	1,5	1,8	2,3
Trend		4,5		1,9	2,3	2,8	3,6
			3,8	1,7	2,0	2,4	3,0
			6,0	2,6	3,1	3,7	4,8
DHC-E 8/10-2		5,4		2,3	2,8	3,4	4,3
Trend		7,2		3,1	3,7	4,5	5,7
			7,2	3,1	3,7	4,5	5,7
			9,6	4,2	4,9	6,0	7,6
DHC-E 12/15-2		9,0		3,9	4,6	5,6	7,1
Trend & Plus		10,8		4,6	5,5	6,6	8,5
			12,0	5,2	6,1	7,5	9,5
			14,4	6,2	7,3	8,9	11,4

Modèle	Puissance en kW			50 °C Production d'ECS en L/min			
	Tension nominale			Température d'entrée de l'eau froide			
	120 V	208 V	240 V	5 °C	10 °C	15 °C	20 °C
DHC-E 3/3.5-1	3,0			1,0	1,1	1,2	1,4
Trend	3,5			1,1	1,3	1,4	1,7
DHC-E 4/6-2		2,9		-	1,1	1,2	1,4
Trend		4,5		1,4	1,6	1,8	2,1
			3,8	1,2	1,4	1,6	1,8
			6,0	1,9	2,1	2,4	2,9
DHC-E 8/10-2		5,4		1,7	1,9	2,2	2,6
Trend & Plus		7,2		2,3	2,6	2,9	3,4
			7,2	2,3	2,6	2,9	3,4
			9,6	3,0	3,4	3,9	4,6
DHC-E 12/15-2		9,0		2,9	3,2	3,7	4,3
Trend & Plus		10,8		3,4	3,8	4,4	5,1
			12,0	3,8	4,3	4,9	5,7
			14,4	4,6	5,1	5,9	6,9

16.4 Domaines d'application/tableau de conversion

Ici, les données sont indiquées pour la résistivité électrique et la conductivité électrique.

Spécification standard à 15 °C		20 °C		25 °C	
Min.	Max.	Min.	Max.	Min.	Max.
résistivité $\rho \geq$		résistivité $\rho \geq$		résistivité $\rho \geq$	
conductivité $\sigma \leq$		conductivité $\sigma \leq$		conductivité $\sigma \leq$	
Ωcm	mS/m	$\mu\text{S/cm}$	Ωcm	mS/m	$\mu\text{S/cm}$
1100	91	910	970	103	1031
				895	112
					1117

16.4.1 Dimensionnement de la tuyauterie

Lors du calcul de la taille de la tuyauterie, une chute de pression de 0,97 bar (14,5 psi) est recommandée pour le chauffe-eau.

16.5 Conditions de défaillance

En cas de panne, des températures allant jusqu'à 80 °C (176 °F) à une pression de 1,0 MPa (145 psi) peuvent se produire brièvement dans l'installation.

OPÉRATION

Spécification

16.6 Tableaux de données

	DHC 3/3.5-1 Trend	DHC 4/6-2 Trend	
N° d'article	200060	200062	
Données électriques			
Phase (50/60 Hz)	1/N/GND	1/N/GND 2/GND	
Tension nominale	120 V	240 V	208 V
Sortie nominale ¹ , position du cavalier 1 [basse] / 2 [haute]	3,0 kW / 3,5 kW	3,8 kW / 6,0 kW	2,9 kW / 4,5 kW
Ampérage, position du cavalier 1 [basse] / 2 [haute]	25 A / 29,2 A	15,8 A / 25 A	13,9 A / 21,7 A
Taille minimale recommandée du disjoncteur ² , position du cavalier 1 [basse] / 2 [haute]	25 A / 30 A	20 A / 25 A	15 A / 25 A
Taille minimale recommandée du fil ³ (cuivre), position du cavalier 1 [basse] / 2 [haute]	10/2 AWG / 10/2 AWG	12/2 AWG / 10/2 AWG	14/2 AWG / 10/2 AWG
Résistivité min. $\rho_{15} \geq$	1100 Ω cm		
Conductivité max. $\sigma_{15} \leq$	910 μ S/cm		
Connexions			
Raccordements à l'eau	1/2 po. NPT		
Limites d'application			
Pression maximale admissible	1 MPa (145 psi)		
Température maximale d'entrée pour le réchauffement	55 °C (131 °F)		
Température d'entrée maximale	65 °C (149 °F)		
Valeurs de réglage de la température à 240 V	38/43/50/60 °C (100/109/122/140 °F)		
Données hydrauliques			
Débit d'eau minimum pour activer l'unité	1,0 l/min (0,264 gal)		
Volume d'eau nominal	0,277 l (0,07 gal)		
Autres			
Type d'installation	Au-dessus de l'évier / en dessous de l'évier		
Classe de protection	1		
Bloc isolant	Polyamide renforcé de fibres de verre		
Système de chauffage	Chauffage enroulé		
Couverture et panneau arrière	Plastique		
Couleur	Blanc		
Dimensions			
Hauteur	360 mm (14 1/8 po.)		
Largeur	202 mm (8 po.)		
Profondeur	98 mm (3 7/8 po.)		
Poids			
Poids	2,5 kg (5,5 lbs)		

Le DHC 3/3.5-1 Trend est fourni avec un réducteur/actionneur à compensation de pression de 1,9 l/min (0,5 gpm) qui doit être installé.

Le DHC-E 4/6-2 Trend est fourni avec 2 x 1,9 l/min (0,5 gpm) et un réducteur de débit/aérateur à compensation de pression de 3,8 l/min (1,0 gpm) qui doit être installé. Voir section 10.3, « Installation d'un aérateur au niveau du robinet raccordé », pg. 52 pour plus d'informations.

¹ Le réglage d'usine par défaut est la position 2 du cavalier [haute].

² Protection contre les surintensités dimensionnée à 100% de la charge. Les chauffe-eau sans réservoir sont considérés comme une charge non continue. N'utilisez que des disjoncteurs de classe A à disjoncteur de fuite de terre (GFCL).

³ Il faut utiliser des conducteurs en cuivre dont la température nominale est supérieure ou égale à 75 °C. Les conducteurs doivent être dimensionnés pour maintenir une chute de tension inférieure à 3 % sous charge.

Ce sont nos recommandations. Vérifiez la conformité aux codes locaux si nécessaire.

OPÉRATION

Spécification

	DHC 8/10-2 Trend		DHC 12/15-2 Trend	
N° d'article	200063		200064	
Données électriques				
Phase (50/60 Hz)	1/N/GND 2/GND			
Tension nominale	240 V	208 V	240 V	208 V
Sortie nominale ¹ , position du cavalier 1 [basse] / 2 [haute]	7,2 kW / 9,6 kW	5,4 kW / 7,2 kW	12,0 kW / 14,4 kW	9,0 kW / 10,8 kW
Ampérage, position du cavalier 1 [basse] / 2 [haute]	30 A / 40 A	26 A / 34,6 A	50 A / 60 A	43,3 A / 52 A
Taille minimale recommandée du disjoncteur ² , position du cavalier 1 [basse] / 2 [haute]	30 A / 40 A	30 A / 35 A	50 A / 60 A	50 A / 60 A
Taille minimale recommandée du fil ³ (cuivre), position du cavalier 1 [basse] / 2 [haute]	10/2 AWG / 8/2 AWG	10/2 AWG / 8/2 AWG	8/2 AWG / 6/2 AWG	8/2 AWG / 6/2 AWG
Résistivité min. $\rho_{15} \geq$	1100 Ω cm			
Conductivité max. $\sigma_{15} \leq$	910 $\mu S/cm$			
Connexions				
Raccordements à l'eau	1/2 po. NPT			
Limites d'application				
Pression maximale admissible	145 psi (1 MPa)			
Température maximale d'entrée pour le réchauffement	131 °F (55 °C)			
Température d'entrée maximale	149 °F (65 °C)			
Valeurs de réglage de la température à 240 V	38/43/50/60 °C (100/109/122/140 °F)			
Données hydrauliques				
Débit d'eau minimum pour activer l'unité	0,264 gal (1,0 l/min)			
Volume d'eau nominal	0,07 gal (0,277 l)			
Autres				
Type d'installation	Au-dessus de l'évier / en dessous de l'évier			
Classe de protection	1			
Bloc isolant	Polyamide renforcé de fibres de verre			
Système de chauffage	Chauffage enroulé			
Couverture et panneau arrière	Plastique			
Couleur	Blanc			
Dimensions				
Hauteur	360 mm (14 1/8 po.)			
Largeur	202 mm (8 po.)			
Profondeur	98 mm (3 7/8 po.)			
Poids				
Poids	2,5 kg (5,5 lbs)			

¹ Le réglage d'usine par défaut est la position 2 du cavalier [haute].

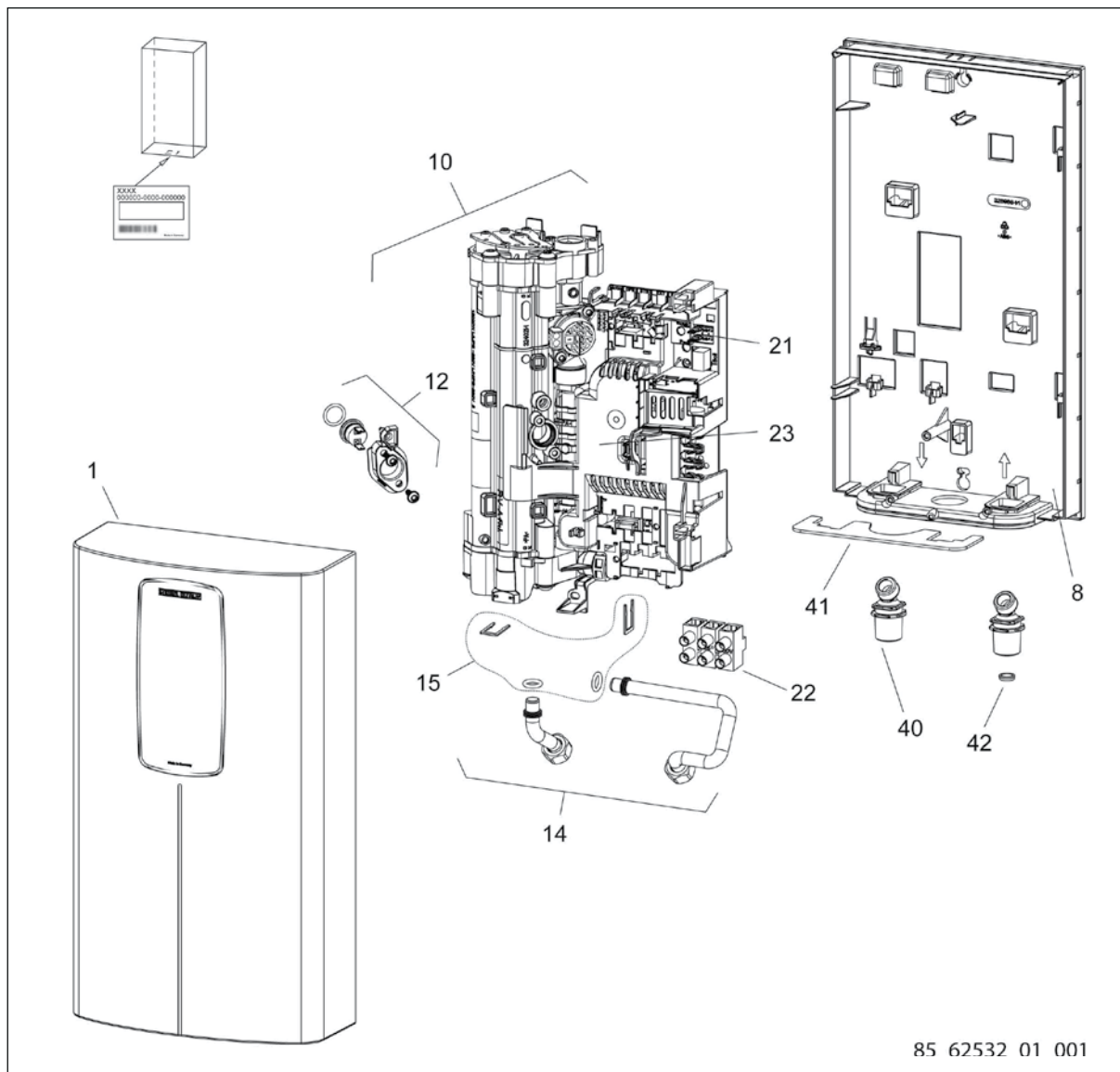
² Protection contre les surintensités dimensionnée à 100% de la charge. Les chauffe-eau sans réservoir sont considérés comme une charge non continue. N'utilisez que des disjoncteurs de classe A à disjoncteur de fuite de terre (GFCI).

³ Il faut utiliser des conducteurs en cuivre dont la température nominale est supérieure ou égale à 75 °C. Les conducteurs doivent être dimensionnés pour maintenir une chute de tension inférieure à 3 % sous charge.

Ce sont nos recommandations. Vérifiez la conformité aux codes locaux si nécessaire.

17. Pièces de rechange

N°	Pièce de rechange	DHC 3/3.5-1 Trend	DHC 4/6-2 Trend	DHC 8/10-2 Trend	DHC 12/15-2 Trend
1	Couvercle (à l'avant)	348147	348147	348147	348147
8	Couvercle (retour)	348143	348143	348143	348143
10	Module de fonction	348150	348151	348152	348153
12	Disjoncteur de sécurité haute limite à réarmement automatique, Klixon	340529	340529	340529	340529
14	Tuyau coudé	340542	340542	340542	340542
15	Jeu de raccords coudés pour tuyaux (comprend les clips et les joints)	320540	320540	320540	320540
21	Cavalier (rouge)	283455	283455	283455	283455
22	Bloc de câblage	326655	326655 </td <td>326655</td> <td>326655</td>	326655	326655
23	Couverture électronique	344146	344146	344146	344146
40	Raccords de raccordement à l'eau (2) - 1/2 po. NPT / 3/8 po.	326589	326589	326589	326589
41	Feuille de fermeture	326234	326234	326234	326234
42	Écran de filtrage	275981	275981	275981	275981



18. Garantie

Sous réserve du respect des termes et conditions définis dans la présente garantie à vie limitée, Stiebel Eltron, Inc. (ci-après, le « Fabricant ») garantit à l'acheteur d'origine (ci-après le « Propriétaire ») que tous les chauffe-eau électriques sans réservoir (ci-après, le « Chauffe-eau ») ne doit pas (i) des fuites dues à des défauts de matériaux ou de fabricant de fabrication pendant une période de dix (10) ans à compter de la date d'achat ou (ii) l'échec en raison de défauts dans les matériaux ou de fabrication du fabricant pour une période de trois (3) ans à compter de la date d'achat. Le seul et unique recours du propriétaire dans le cadre de la garantie susmentionnée sera pour le Propriétaire de soit réparer en usine, soit remplacer le Chauffe-eau défectueux (à la discrétion du fabricant) avec soit un appareil de rechange, soit une ou des pièces ayant les mêmes caractéristiques d'exploitation. La responsabilité financière maximale du Fabricant ne pourra en aucun cas aller au-delà du prix d'achat du le Chauffe-eau.

Cette garantie limitée représente la seule garantie accordée par le fabricant et annule toute les autres garanties, orales ou écrites, expresses ou implicites, y compris, mais sans y être limitées les garanties de qualité marchande ou d'aptitude à un usage particulier. Le fabricant rejette toute responsabilité pour les dommages ou frais indirects, consécutifs ou autres résultant directement ou indirectement de tout vice présent dans le chauffe-eau ou survenu lors de l'usage du Chauffe-eau. Le fabricant rejette toute responsabilité pour tout dégât des eaux ou tout autre dégât matériel encouru par le propriétaire, résultant directement ou indirectement de tout vice présent dans le Chauffe-eau ou survenu lors de l'usage du Chauffe-eau. Seul le Fabricant est autorisé à énoncer les garanties au nom du Fabricant et aucune déclaration, garantie ou autre document énoncé par une tierce partie ne saurait engager la responsabilité du Fabricant.

Le Fabricant rejette toute responsabilité pour tout dommage causé par ou en relation avec :

1. toute mauvaise utilisation ou négligence du chauffe-eau, tout accident subi par le chauffe-eau, toute modification du chauffe-eau ou tout autre usage non prévu,
2. les calamités naturelles ou toute autre circonstance sur laquelle le fabricant n'a aucun contrôle,
3. l'installation du chauffe-eau autre que conformément aux directives du fabricant et autre que conformément

aux codes de la construction en vigueur,

4. le non-respect des procédures d'entretien du chauffe-eau ou l'utilisation du chauffe-eau non conformes aux directives du fabricant,
5. l'utilisation du chauffe-eau avec une pression d'eau irrégulière ou dans le cas où le chauffe-eau serait alimenté en eau non potable pour toute durée que ce soit,
6. une installation incorrecte ou l'utilisation de matériaux incorrects par un installateur et sans relation avec les vices de fabrication ou de matériel du fabricant,
7. déplacer le Chauffe-eau de son lieu d'installation d'origine;
8. l'exposition au gel,
9. problèmes de qualité de l'eau comme l'eau corrosive, l'eau dure et de l'eau contaminée par des polluants ou des additifs,

Si le Propriétaire désire renvoyer le Chauffe-eau au Fabricant pour qu'il soit réparé ou remplacé dans le cadre de cette Garantie, le Propriétaire doit d'abord obtenir l'autorisation écrite du Fabricant. Le Propriétaire doit apporter la preuve d'achat, y compris la date d'achat, et sera responsable de tous les frais de transport et de dépose. Si le Propriétaire ne peut pas apporter la preuve de la date d'achat, cette Garantie sera limitée à la période commençant à la date de fabrication estampée sur le Chauffe-eau. Le Fabricant se réserve le droit de rejeter toute couverture de la Garantie à la suite d'une inspection du Chauffe-eau par le Fabricant. Cette Garantie ne s'applique qu'au propriétaire et ne peut pas être transférée.

Certains États et Provinces n'autorisent pas l'exclusion ou la limitation de certaines garanties. Dans ce cas, les limites ci-mentionnées peuvent ne pas s'appliquer au propriétaire. Dans ce cas, la Garantie sera limitée à la période la plus courte et aux dommages et intérêts les plus faibles autorisés par la loi. Cette garantie vous octroie des droits légaux spécifiques. Il est toutefois possible que vous ayez d'autres droits en fonction de votre juridiction.

Le Propriétaire sera responsable de tous les frais de main-d'œuvre et autres encourus lors de la dépose ou de la réparation du Chauffe-eau sur le chantier. Veuillez également noter que le Chauffe-eau doit être installé de sorte qu'en cas de fuite, l'eau qui s'écoule doit couler de façon à ne pas endommager l'endroit où il est installé.

Environnement et recyclage

Aidez-nous à protéger l'environnement en éliminant les emballages conformément aux réglementations nationales en matière de traitement des déchets.

Cette garantie n'est valable que pour les États-Unis et le Canada. Les garanties peuvent varier selon les pays. Veuillez consulter votre représentant Stiebel Eltron local pour connaître la garantie dans votre pays.



L'installation, le raccordement électrique et la première mise en service de cet appareil doivent être effectués par un installateur qualifié.



L'entreprise n'est pas responsable des défaillances des biens fournis qui n'ont pas été installés et utilisés conformément aux instructions du fabricant.

United States of America

STIEBEL ELTRON, Inc.
17 West Street | West Hatfield, MA 01088
Tel. 413.247.3380 | Fax 413.247.3369
Toll-free 800.582.8423
info@stiebel-eltron-usa.com
www.stiebel-eltron-usa.com

Austria

STIEBEL ELTRON Ges.m.b.H.
Eferdinger Str. 73 | 4600 Wels
Tel. 07242 47367-0 | Fax 07242 47367-42
info@stiebel-eltron.at
www.stiebel-eltron.at

Belgium

STIEBEL ELTRON bvba/sprl
't Hofveld 6 - D1 | 1702 Groot-Bijgaarden
Tel. 02 42322-22 | Fax 02 42322-12
info@stiebel-eltron.be
www.stiebel-eltron.be

Czech Republic

STIEBEL ELTRON spol. s r.o.
K Háji 946 | 155 00 Praha 5 - Stodůlky
Tel. 251116-111 | Fax 235512-122
info@stiebel-eltron.cz
www.stiebel-eltron.cz

Denmark

Pettinaroli A/S
Mandal Allé 21 | 5500 Middelfart
Tel. 06341 666-6 | Fax 06341 666-0
info@pettinaroli.dk
www.stiebel-eltron.dk

Finland

Insinöörtoimisto Olli Andersson Oy
Kapinakuja 1 | 04600 Mäntsälä
Tel. 020 720-9988 | Fax 020 720-9989
info@stiebel-eltron.fi
www.stiebel-eltron.fi

France

STIEBEL ELTRON SAS
7-9, rue des Selliers
B.P 85107 | 57073 Metz-Cédex 3 Tel. 0387
7438-88 | Fax 0387 7468-26
info@stiebel-eltron.fr
www.stiebel-eltron.fr

Germany

STIEBEL ELTRON GmbH & Co. KG
Dr.-Stiebel-Straße | 37603 Holzminden
Tel. 05531 702-0 | Fax 05531 702-480
info@stiebel-eltron.de
www.stiebel-eltron.de

Hungary

STIEBEL ELTRON Kft.
Pacsirtamező u. 41 | 1036 Budapest Tel.
01 250-6055 | Fax 01 368-8097
info@stiebel-eltron.hu
www.stiebel-eltron.hu

Japan

NIHON STIEBEL Co. Ltd.
Ebara building 3F
2-9-3 Hamamatsu-cho
Minato-Ku | 105-0013 Tokyo
Tel. 03 34364662 | Fax 03 34594365
info@nihonstiebel.co.jp
www.nihonstiebel.co.jp

Netherlands

STIEBEL ELTRON Nederland B.V.
Daviottenweg 36
5222 BH 's-Hertogenbosch
Tel. 073 623-0000 | Fax 073 623-1141
stiebel@stiebel-eltron.nl
www.stiebel-eltron.nl

Poland

STIEBEL ELTRON Polska Sp. z o.o. ul.
Instalatorów 9 | 02-237 Warszawa Tel. 022
60920-30 | Fax 022 60920-29
stiebel@stiebel-eltron.com.pl
www.stiebel-eltron.com.pl

Russia

STIEBEL ELTRON LLC RUSSIA
Urzhumskaya street 4,
building 2 | 129343 Moscow
Tel. 0495 7753889 | Fax 0495 7753887
info@stiebel-eltron.ru
www.stiebel-eltron.ru

Slovakia

STIEBEL ELTRON Slovakia, s.r.o.
Hlavná 1 | 058 01 Poprad
Tel. 052 7127-125 | Fax 052 7127-148
info@stiebel-eltron.sk
www.stiebel-eltron.sk

Sweden

STENERGY
Vasagatan 14 | 545 30 Töreboda
Sales:
Tel. 0506 105-10 | info@stiebel-eltron.se
Technique & Service:
Tel. 0150 54200 | info@heatech.se
www.stiebel-eltron.se

Switzerland

STIEBEL ELTRON AG
Netzbodenstr. 23 c | 4133 Pratteln
Tel. 061 81693-33 | Fax 061 81693-44
info@stiebel-eltron.ch
www.stiebel-eltron.ch

Thailand

STIEBEL ELTRON Asia Ltd.
469 Moo 2 Tambol Klong-Jik
Amphur Bangpa-In | 13160 Ayutthaya
Tel. 035 220088 | Fax 035 221188
info@stiebeleltronasia.com
www.stiebeleltronasia.com

United Kingdom and Ireland

STIEBEL ELTRON UK Ltd.
Unit 12 Stadium Court
Stadium Road | CH62 3RP Bromborough
Tel. 0151 346-2300 | Fax 0151 334-2913
info@stiebel-eltron.co.uk
www.stiebel-eltron.co.uk

STIEBEL ELTRON

Irrtum und technische Änderungen vorbehalten! | Subject to errors and technical changes! | Sous réserve d'erreurs et de modifications techniques! | Onder voorbehoud van vergissingen en technische wijzigingen! | Salvo error o modificación técnica! | Rätt till misstag och tekniska ändringar förbehålls! | Excepto erro ou alteração técnica | Zastrzeżone zmiany techniczne i ewentualne błędy | Omyly a technické zmeny jsou vyhrazeny! | A muszaki változtatások és tévedések jogát fenntartjuk! | Отсутствие ошибок не гарантируется. Возможны технические изменения. | Chyby a technické zmeny sú vyhradené! Stand 8643